

Type ANR-UL

Automotive Blade Fuse

Standard w/ UL Approval



www.optifuse.com (619) 593-5050

Specifications:

- **Voltage:** 32V DC
- **Amperage:** 1A, 2A, 3A, 4A, 5A, 7.5A, 10A, 15A, 20A, 25A, 30A, 35A, 40A
- **Body:** Nylon PA66
- **Terminals:** Zinc Alloy, Tin plated
- **Interrupt Rating:** 1000A @ 32V DC

Agency Standards and Listings:

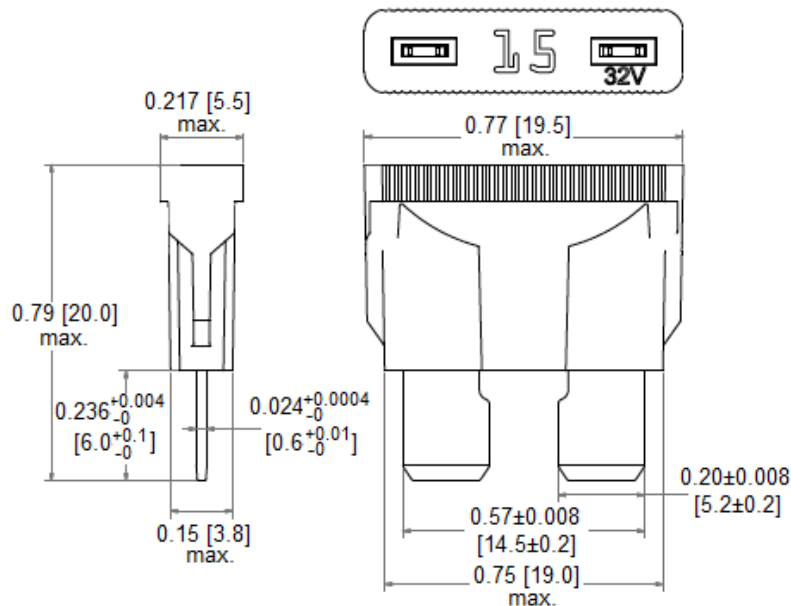


Designed to meet ISO 8820-3 Standards.

Part Number	Amperage	Body Color	Voltage Drop
ANR-UL-1A	1A	Black	250 mV
ANR-UL-2A	2A	Gray	225 mV
ANR-UL-3A	3A	Violet	200 mV
ANR-UL-4A	4A	Pink	200 mV
ANR-UL-5A	5A	Tan	175 mV
ANR-UL-7.5A	7.5A	Brown	150 mV
ANR-UL-10A	10A	Red	140 mV
ANR-UL-15A	15A	Blue	125 mV
ANR-UL-20A	20A	Yellow	125 mV
ANR-UL-25A	25A	Clear/White	125 mV
ANR-UL-30A	30A	Green	120 mV
ANR-UL-35A	35A	Dark Green	120 mV
ANR-UL-40A	40A	Orange	120 mV

Time Characteristics:		
% of Rated Current	Min Hold Time	Max Hold Time
100%	100h	-
135%	750ms	1800s
200%	150ms	5s
350%	40ms	500ms
600%	20ms	200ms

Mechanical Dimensions: mm (Inches)



Warning:



-Operation beyond the specified maximum ratings or improper use may result in damage and possible electrical arcing and/or flame.

-Avoid contact of device with chemical solvent. Prolonged contact will damage the device performance.