

Type ACBP4-PM Auto Reset Circuit Breaker Automotive Type I Standard Mini Blade



www.optifuse.com (619) 593-5050

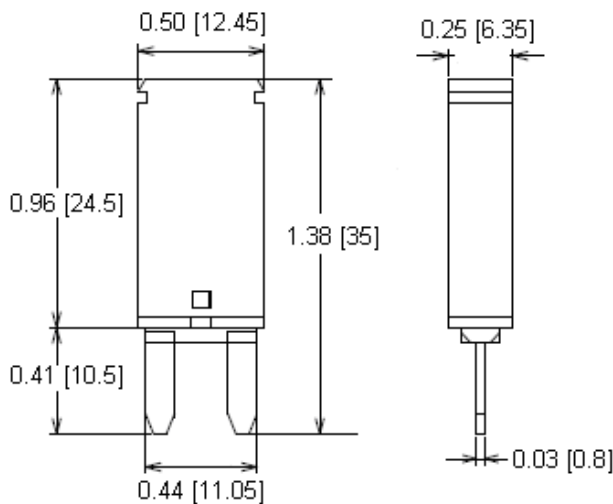
Specifications:

Mini Blade Automatic Reset Type Circuit Breaker
Voltage: 14VDC
Amperage: 5A, 7.5A, 10A, 15A, 20A, 25A, 30A
Materials: Thermoplastic – (UL Rated 94-V-0)
Terminals: Tin plated Copper Alloy
Testing Standard: SAE J553 Type I
Cover is color coded to Amperage Ratings
Operating Temperature: -40° C ~ 85° C

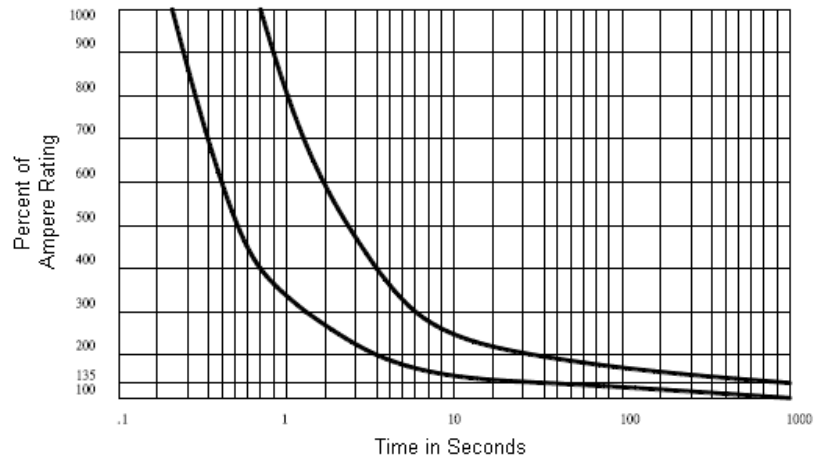
| Part Number | Amperage | Body Color |
|---------------|----------|------------|
| ACBP4-PM-5A | 5A | Tan |
| ACBP4-PM-7.5A | 7.5A | Brown |
| ACBP4-PM-10A | 10A | Red |
| ACBP4-PM-15A | 15A | Blue |
| ACBP4-PM-20A | 20A | Yellow |
| ACBP4-PM-25A | 25A | White |
| ACBP4-PM-30A | 30A | Green |

| Ampere Rated | Interrupt Rating |
|-----------------|------------------|
| 5A-10A version | 150A @ 14 VDC |
| 15A version | 225A @ 14 VDC |
| 20A version | 300A @ 14 VDC |
| 25A-30A version | 450A @ 14 VDC |

Mechanical Dimensions: Inches [mm]



Part number: ACBP4-PM
Time Current Curves



Warning:



- Operation beyond the specified maximum ratings or improper use may result in damage and possible electrical arcing and/or flame.
- Device are intended for occasional overcurrent protection. Application for repeated overcurrent condition and/or prolonged trip are not anticipated.
- Avoid contact of device with chemical solvent. Prolonged contact will damage the device performance.
- Not intended for submersible water applications.