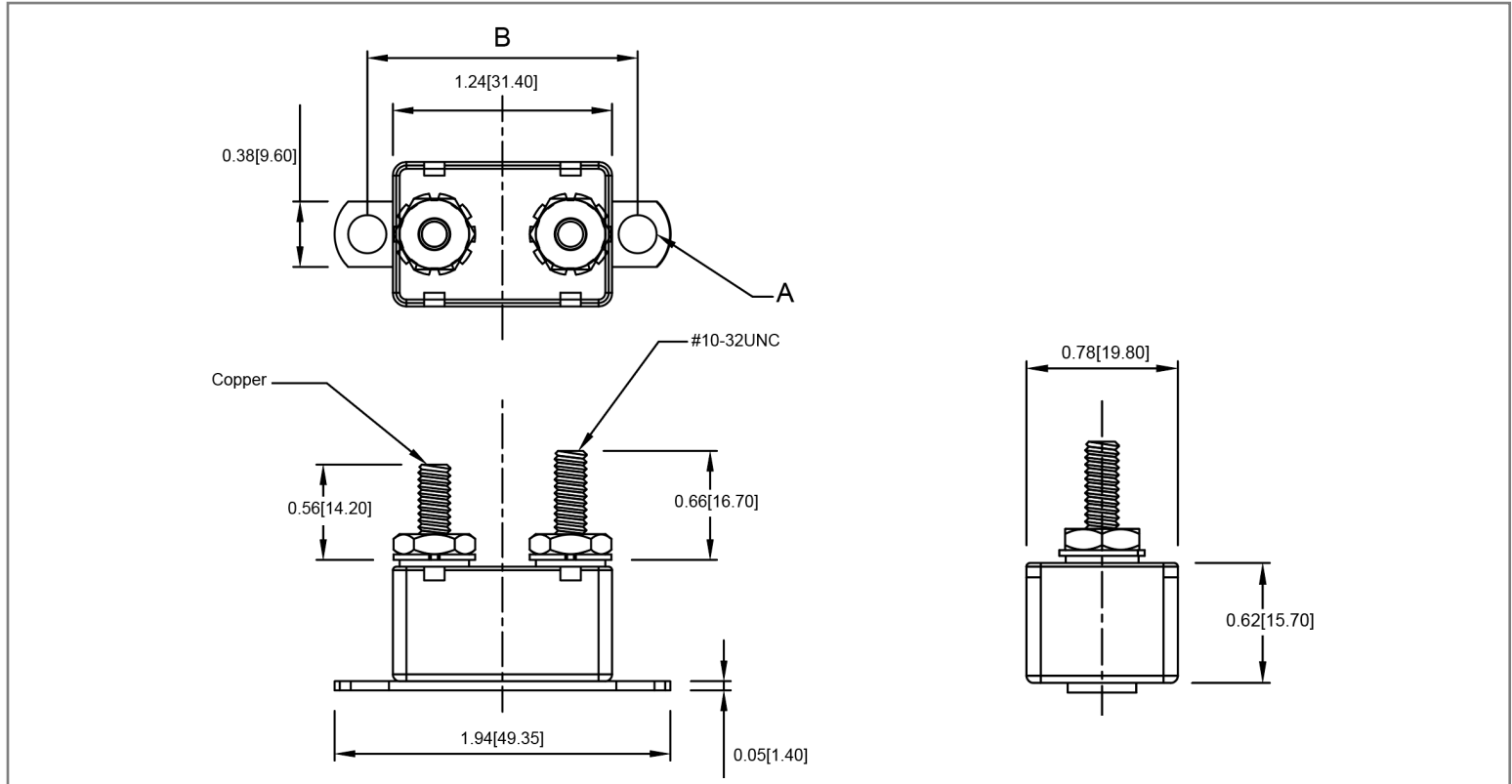


**Mechanical Dimensions: Inches [mm]**



**Part Numbers Information**

Optifuse P/N	Current
ACB-24-V-10A	10A
ACB-24-V-15A	15A
ACB-24-V-20A	20A
ACB-24-V-25A	25A
ACB-24-V-30A	30A
ACB-24-V-40A	40A
ACB-24-V-50A	50A

**Time vs. Percent of Rated Current**

% of Rated Current	Min Trip Time	Max Trip Time
100%	30m	-
135%	-	30m
200%	-	1m

**Electrical Specifications**

<b>Voltage</b>	24VDC
<b>Reset Type</b>	Type I - Auto Reset
<b>Operation Temperature</b>	-40° F ~ 175° F
<b>Compliances</b>	SAE J553

**Material Specification**

<b>Body Material</b>	Plated Steel
<b>Terminals Material</b>	Battery – Copper, Auxiliary – Zinc
<b>Terminals Configuration</b>	#10-32 Stud
<b>Mounting Type</b>	Bracket attached crosswise the case

**Rev**    **Date of issue**    **Revision Notes**

**Designed**    **Approved**

A	06-25-2020	Initial Drawing	RC	OF
---	------------	-----------------	----	----