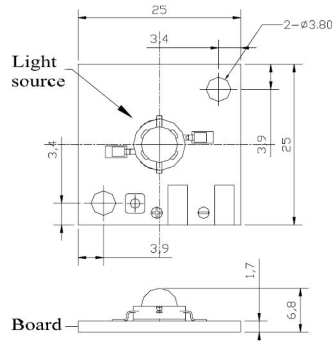


Part Number : CMDA50CW15D13L
 Serial Number : CMDA50
 Power LEDs



Emitter	2.5W
Power LED Package	Cool White 2.5 Watt Emitter - C3 on Square
Dom wave length	6500
Current mA	700
Volt typ. (V)	3.5
Luminous flux min. (mcd)	67
Luminous flux typ. (mcd)	90
Viewing angle (°)	120

Drawn : EQ	Ch'd : EQ	Datasheet : CMDA50	Print date : 07/05/06
Revision :	Revision date : 2006-03-02	Name : EQ	Scale :