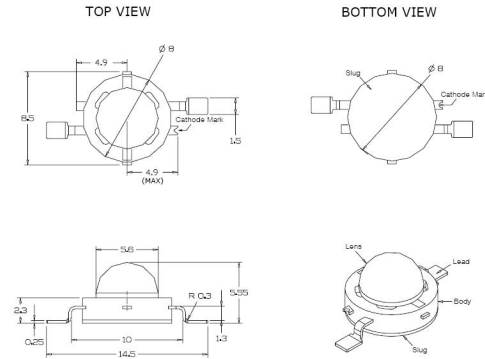




Part Number : CMDA48DY15D13L
 Serial Number : CMDA48
 Power LEDs



Emitter	2.5W
Power LED Package	Amber 2.5 Watt Emitter - C3
Dom wave length	590
Current mA	700
Volt typ. (V)	2.5
Luminous flux min. (mcd)	54
Luminous flux typ. (mcd)	68
Viewing angle (°)	130

Drawn : EQ	Ch'd : EQ	Datasheet : CMDA48	Print date : 07/05/06
Revision :	Revision date : 2006-03-02	Name : EQ	Scale :