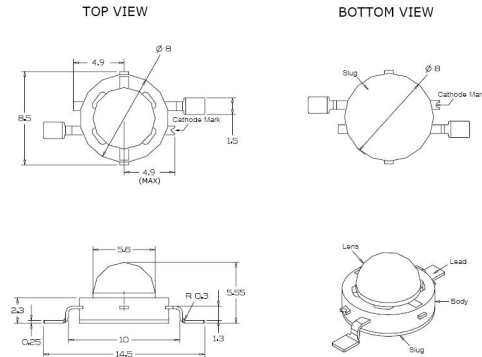




Part Number : CMDA48CB15D13L  
 Serial Number : CMDA48  
 Power LEDs



<b>Emitter</b>	2.5W
<b>Power LED Package</b>	Blue 2.5 Watt Emitter - C3
<b>Dom wave length</b>	460
<b>Current mA</b>	700
<b>Volt typ. (V)</b>	3.5
<b>Luminous flux min. (mcd)</b>	8.5
<b>Luminous flux typ. (mcd)</b>	16
<b>Viewing angle (°)</b>	130

Drawn : EQ	Ch'd : EQ	Datasheet : CMDA48	Print date : 07/05/06
Revision :	Revision date : 2006-03-02	Name : EQ	Scale :