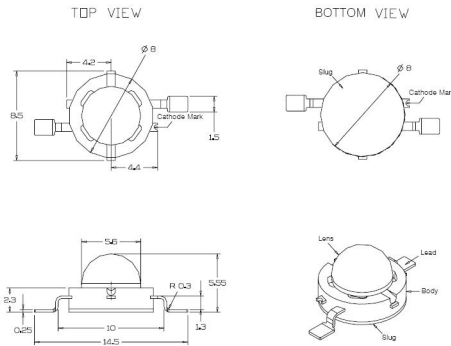


Part Number : CMDA42WW15D13L  
 Serial Number : CMDA42  
 Power LEDs



<b>Emitter</b>	1W
<b>Power LED Package</b>	Warm White1 Watt Emitter - C3
<b>Dom wave length</b>	3000
<b>Current mA</b>	350
<b>Volt typ. (V)</b>	3.5
<b>Luminous flux min. (mcd)</b>	24.5
<b>Luminous flux typ. (mcd)</b>	35
<b>Viewing angle (°)</b>	120

Drawn : EQ	Ch'd : EQ	Datasheet : CMDA42	Print date : 07/05/06
Revision :	Revision date : 2006-03-02	Name : EQ	Scale :