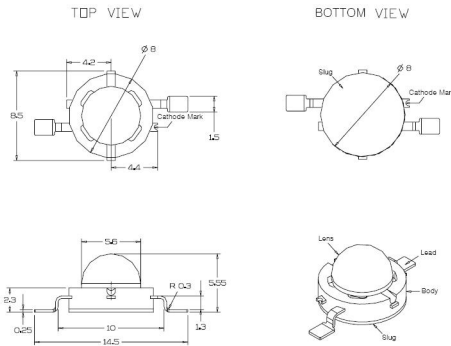




Part Number : CMDA42CW15D13L
 Serial Number : CMDA42
 Power LEDs



Emitter	1W
Power LED Package	Cool White 1 Watt Emitter -C3
Dom wave length	6500
Current mA	350
Volt typ. (V)	3.5
Luminous flux min. (mcd)	39
Luminous flux typ. (mcd)	52
Viewing angle (°)	120

Drawn : EQ	Ch'd : EQ	Datasheet : CMDA42	Print date : 07/05/06
Revision :	Revision date : 2006-03-02	Name : EQ	Scale :