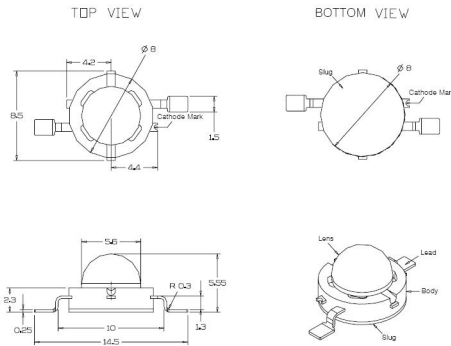




Part Number : CMDA42AR15D13L
 Serial Number : CMDA42
 Power LEDs



Emitter	1W
Power LED Package	Red 1 Watt Emitter - C3
Dom wave length	625
Current mA	350
Volt typ. (V)	2.5
Luminous flux min. (mcd)	24.5
Luminous flux typ. (mcd)	30
Viewing angle (°)	130

Drawn : EQ	Ch'd : EQ	Datasheet : CMDA42	Print date : 07/05/06
Revision :	Revision date : 2006-03-02	Name : EQ	Scale :