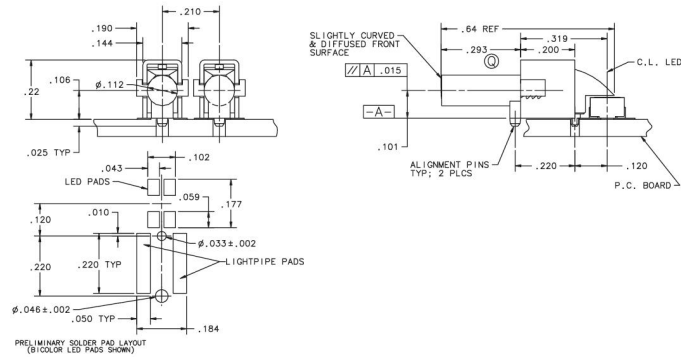




Part Number : 7520A10-TR
 Serial Number : 7520
 Light Pipes



Led type	SMD LED
Type	Right Angle, Single Position
Mounting	Surface Mount
Works with	7016X Series
Housing ul rating	UL-HB

Drawn : VG	Ch'd : VG	Datasheet : 7520	Print date : 06/05/06
Revision :	Revision date : 2006-03-06	Name : VG	Scale :