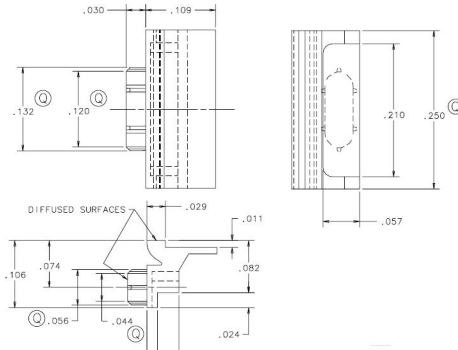




Part Number : 7511B63
 Serial Number : 7511
 Light Pipes



Led type	SMD LED
Type	Single Position Custom
Mounting	Panel Mount
Works with	CMD11505 Series
Housing ul rating	UL 94-V0

Drawn : VG	Ch'd : VG	Datasheet : 7511	Print date : 06/05/06
Revision :	Revision date : 2006-03-06	Name : VG	Scale :