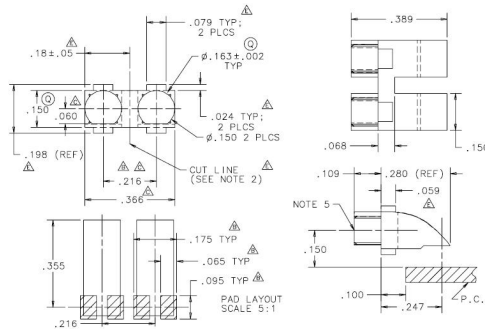




Part Number : 7511B28-B  
 Serial Number : 7511  
 Light Pipes



<b>Led type</b>	SMD LED
<b>Type</b>	Right Angle, Single Position
<b>Mounting</b>	Panel Mount
<b>Works with</b>	CMD67-21 Series
<b>Housing ul rating</b>	UL 94-V0

Drawn : VG	Ch'd : VG	Datasheet : 7511	Print date : 06/05/06
Revision :	Revision date : 2006-03-06	Name : VG	Scale :