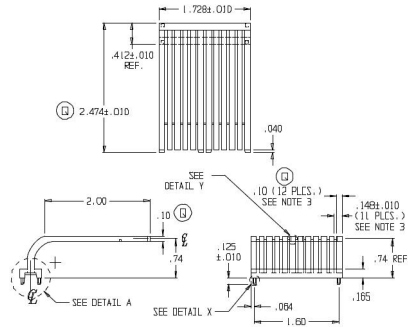




Part Number : 7511A10-A
 Serial Number : 7511
 Light Pipes



Led type	SMD LED
Type	Right Angle, 12 Wide
Mounting	PCB Press-In Pin
Works with	-
Housing ul rating	UL 94-V2

Drawn : VG	Ch'd : VG	Datasheet : 7511	Print date : 06/05/06
Revision :	Revision date : 2006-03-06	Name : VG	Scale :