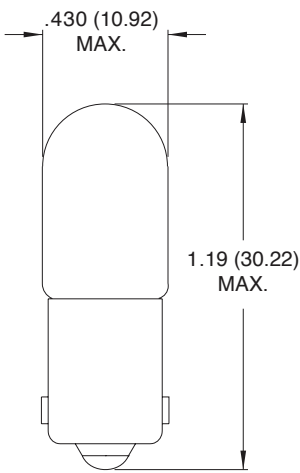




T-3 1/4 Miniature Base Lamp Bayonet Base and Screw Base



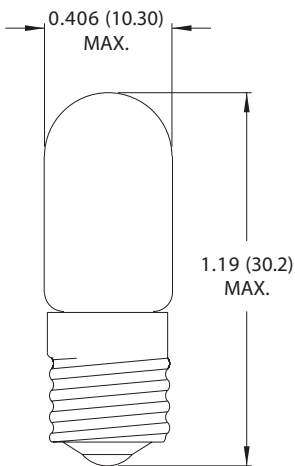
T-3 1/4 Miniature Bayonet Base



Dimensions in inches (mm)

Part Number	Design Voltage	Amps	MSCP	Life Hours	Filament Type
1818	24.0	.17	3.3	250	C-2V
CM313	28.0	.17	3.5	500	C-2F
757	28.0	.08	.62	15,000	C-2F
CM1819	28.0	.04	.34	3,000	C-2F
1820	28.0	.10	1.6	1,000	C-2F
CM1829	28.0	.07	1.0	1,000	C-2F
CM1864	28.0	.17	3.0	1,500	C-2F
1822	36.0	.10	2.5	1,000	C-2F
1828	37.5	.05	.65	3,000	C-2F
CM1835	55.0	.05	1.1	5,000	C-5
8-3995	130.0	.02	.20	2,000	CC-3A
949	130.0	.022	.40	2,000	2CC-2F

T-3 1/4 Miniature Screw Base



Dimensions in inches (mm)

Part Number	Design Voltage	Amps	MSCP	Life Hours	Filament Type
41	2.50	.50	.50	3,000	C-2R
40	6.30	.15	.52	3,000	C-2R
46	6.30	.25	.90	3,000	C-2R
1821	28.0	.17	3.5	500	C-2F
1823	48.0	.10	3.3	1,000	C-2V