

147 Central Avenue
Hackensack, New Jersey 07601
Tel: 201-489-8989 • Fax: 201-489-6911

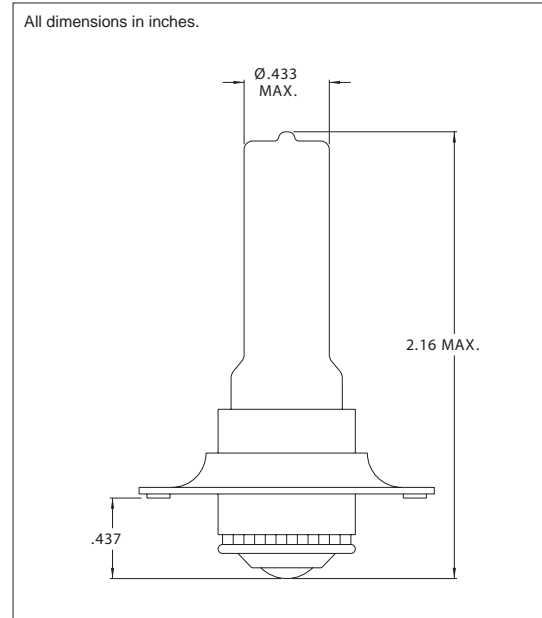


CHICAGO MINIATURE LAMP, INC.
WHERE INNOVATION COMES TO LIGHT

Marine Halogen Lamp

DESCRIPTION AND FEATURES

This unique high intensity halogen lamp in a pefocus base was purpose designed for the marine industry. Originally designed for use in the United States Coast Guard beacons, this lamp provides exceptional long range visibility over a complete 360° beam pattern. This lamp is United States Coast Guard approved conforming to the Ocean Engineering Division's specification G-EOE-449. This lamp design is also well suited to other marine and aircraft applications requiring a high reliability, high intensity light source.



SPECIFICATIONS

Part Number:	CM449X12V
Design Voltage:	12.0 Volts
Design Current:	9.17 Amps
Maximum Wattage:	117 Watts
Luminous Intensity:	207 MSCP (2600 Lumens)
Average Life:	600 Hours
Base Material:	Nickel Plated Brass
Glass:	Quartz
Approvals:	United States Coast Guard per: G-EOE-449

Chicago Miniature Lamp reserves the right to make specification revisions that enhance the design and/or performance of the product