

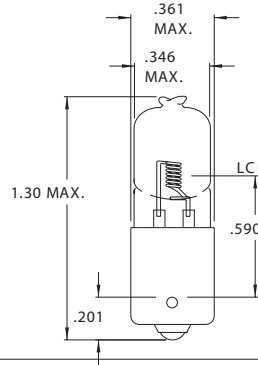
147 Central Avenue  
 Hackensack, New Jersey 07601  
 Tel: 201-489-8989 • Fax: 201-489-6911



**CHICAGO MINIATURE LAMP, INC.**  
 WHERE INNOVATION COMES TO LIGHT

### T-2 3/4 Miniature Bayonet Base Halogen Lamp

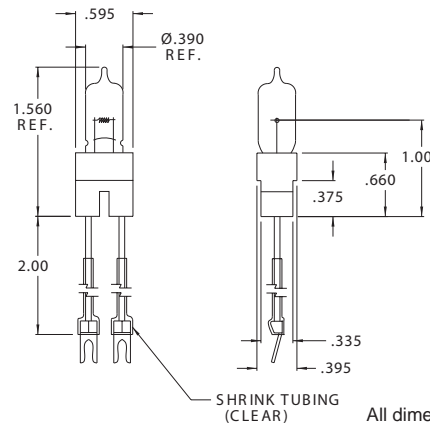
Part Number: CM2059  
 Design Voltage: 12.0  
 Design Wattage: 10.0  
 Nominal MSCP: 10.0  
 Filament Shape: C-8I  
 Laboratory Life: 1000 Hours  
 Materials: Globe: Glass  
 Base: Nickel Plated Brass



All dimensions in inches.

### T-3 Special Halogen Lamp

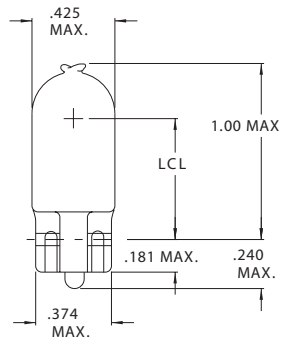
Part Number: CM250021  
 Design Voltage: 14.0  
 Design Wattage: 50.0  
 Nominal MSCP: 95.0  
 Filament Shape: CC-6  
 Laboratory Life: 150 Hours  
 Materials: Globe: Quartz Glass  
 Base: Ceramic  
 Leads: 18 AWG High Temperature



All dimensions in inches.

### T-3 1/4 Wedge Base Halogen Lamp

Part Number: CM1999  
 Design Voltage: 28.0  
 Design Wattage: 25.0  
 Nominal MSCP: 40.0  
 Filament Shape: CC-6  
 Laboratory Life: 125 Hours  
 Materials: Globe: Glass



All dimensions in inches.

**Caution:**

These halogen cycle lamps may shatter if scratched or damaged. Use these lamps in fixtures designed for their high operating temperature. Always turn power off when changing these lamps. For satisfactory performance limit the seal and wire lead temperature to 350°C to avoid deterioration. Maintain a minimum lamp wall temperature of 250°C to assure the halogen cycle occurs. Remove all grease and fingerprints from these lamps before operation. Never exceed the design voltage of these lamps.

*Chicago Miniature Lamp reserves the right to make specification revisions that enhance the design and/or performance of the product*