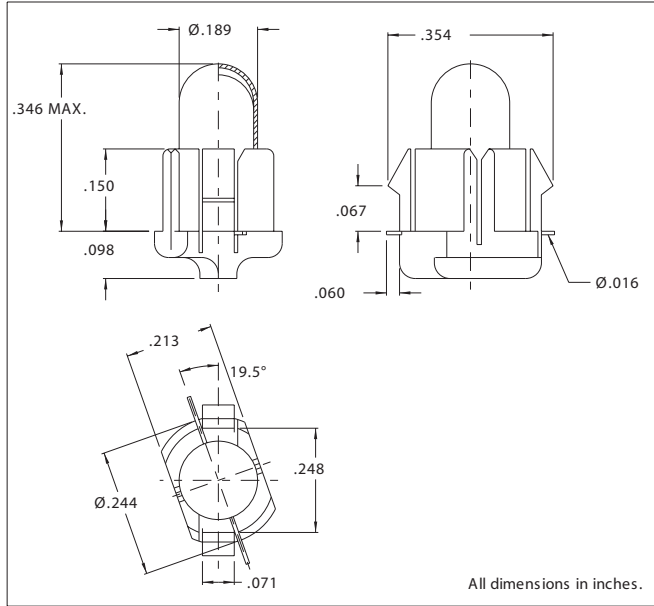




**PC M25A T-1 1/4 Snap Mount Incandescent Lamp with Filter Boot**

**DESCRIPTION AND FEATURES**



**ELECTRICAL CHARACTERISTICS**

Part No.	Volts	Amps	MSCP (Nom.)	Life Hours (Average)	Filament Shape
PC M25A-1	5.0	.060	.05*	40,000	C-2R
PC M25A-2	5.0	.075	.09*	25,000	C-2R
PC M25A-3	5.0	.115	.15*	30,000	C-2R
PC M25A-4	6.3	.100	.20*	5,000	C-2R
PC M25A-5	6.3	.200	.40*	40,000	C-2V
PC M25A-6	14.0	.040	.09*	16,000	C-2V
PC M25A-7	14.0	.040	.12*	16,000	C-2V
PC M25A-8	14.0	.040	.15*	16,000	C-2V
PC M25A-9	14.0	.065	.16*	10,000	C-2V
PC M25A-10	14.0	.080	.30*	15,000	C-2V
PC M25A-11	14.0	.100	.50*	10,000	C-2V
PC M25A-12	28.0	.035	.10*	20,000	C-2F
PC M25A-13	28.0	.040	.30*	4,000	C-2F

Filter boots are formulated to meet specific color requirements. Please contact the factory for availability regarding your color needs.  
 \*\*PC M25 version available without filter boot assembled.  
 \*MSCP value is without filter boot