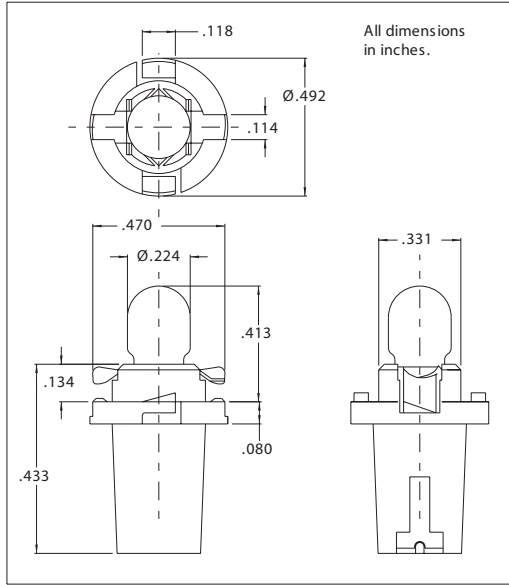




EBS N T-1 3/4 Double Contact Twist-Lock Incandescent Lamp

DESCRIPTION AND FEATURES



Solder pad geometry on page SP2.

ELECTRICAL CHARACTERISTICS

Part No.	Volts	Amps	MSCP (Nom.)	Life Hours (Average)	Filament Shape
EBS N-1	5.0	.060	.05	40,000	C-2R
EBS N-2	5.0	.075	.09	25,000	C-2R
EBS N-3	5.0	.115	.15	30,000	C-2R
EBS N-4	6.3	.100	.20	5,000	C-2R
EBS N-5	6.3	.200	.40	40,000	C-2V
EBS N-6	14.0	.040	.09	16,000	C-2V
EBS N-7	14.0	.040	.12	16,000	C-2V
EBS N-8	14.0	.040	.15	16,000	C-2V
EBS N-9	14.0	.065	.16	10,000	C-2V
EBS N-10	14.0	.080	.30	15,000	C-2V
EBS N-11	14.0	.100	.50	10,000	C-2V
EBS N-12	14.0	.125	.70	10,000	C-2V
EBS N-13	14.0	.135	.80	10,000	C-2V
EBS N-14	14.0	.150	.88	5,000	C-2V
EBS N-15	28.0	.035	.10	20,000	C-2F
EBS N-16	28.0	.040	.30	4,000	C-2F
EBS N-17	28.0	.053	.60	4,000	C-2F

Lamps can be provided with a filter boot or coating to meet specific color requirements.