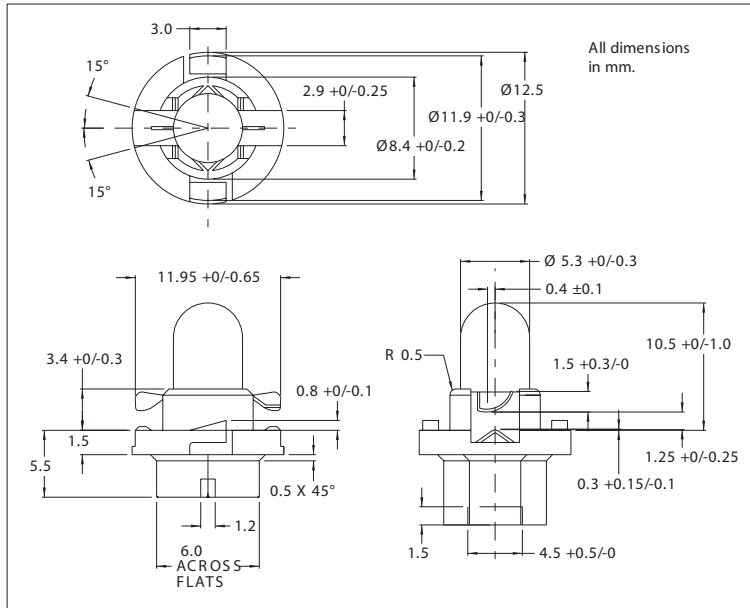




EBS P T-1 1/2 Double Contact Twist-Lock Incandescent Lamp

DESCRIPTION AND FEATURES



Solder pad geometry on page SP2.

ELECTRICAL CHARACTERISTICS

Part No.	Volts	Amps	MSCP (Nom.)	Life Hours (Average)	Filament Shape
EBS P-1	5.0	.060	.05	40,000	C-2R
EBS P-2	5.0	.075	.09	25,000	C-2R
EBS P-3	5.0	.115	.15	30,000	C-2R
EBS P-4	6.3	.100	.20	5,000	C-2R
EBS P-5	6.3	.200	.40	40,000	C-2V
EBS P-6	14.0	.040	.09	16,000	C-2V
EBS P-7	14.0	.040	.12	16,000	C-2V
EBS P-8	14.0	.040	.15	16,000	C-2V
EBS P-9	14.0	.065	.16	10,000	C-2V
EBS P-10	14.0	.080	.30	15,000	C-2V
EBS P-11	14.0	.100	.50	10,000	C-2V
EBS P-12	14.0	.125	.70	10,000	C-2V
EBS P-13	14.0	.135	.80	10,000	C-2V
EBS P-14	14.0	.150	.88	5,000	C-2V
EBS P-15	28.0	.035	.10	20,000	C-2F
EBS P-16	28.0	.040	.30	4,000	C-2F
EBS P-17	28.0	.053	.60	4,000	C-2F

Lamps can be provided with a filter boot or coating to meet specific color requirements.