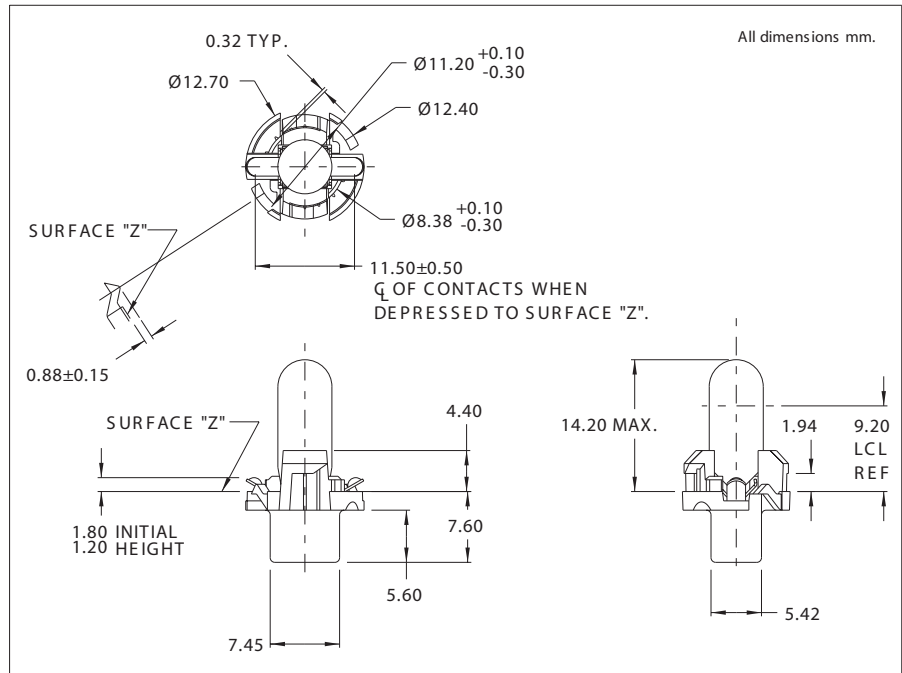




5605 Series Relampable Socket

DESCRIPTION AND FEATURES



Mounting: Printed circuit board, twist-in

Mounting pattern on page SP2.

Contacts: C68800 copper alloy

Housing: Nylon

Lamp: T-1 3/4

LAMP VERSION		
SOCKET COLOR	LAMP TRADE NO.	CML PART NO.
TAN	37	56050003
GREY	37	56050103
GREY	74	56050303
BLUE	80	56050203
NO LAMP VERSION		
TAN	-	56050002
GREY	-	56050102
BLUE	-	56050202

Chicago Miniature Lamp reserves the right to make specification revisions that enhance the design and/or performance of the product