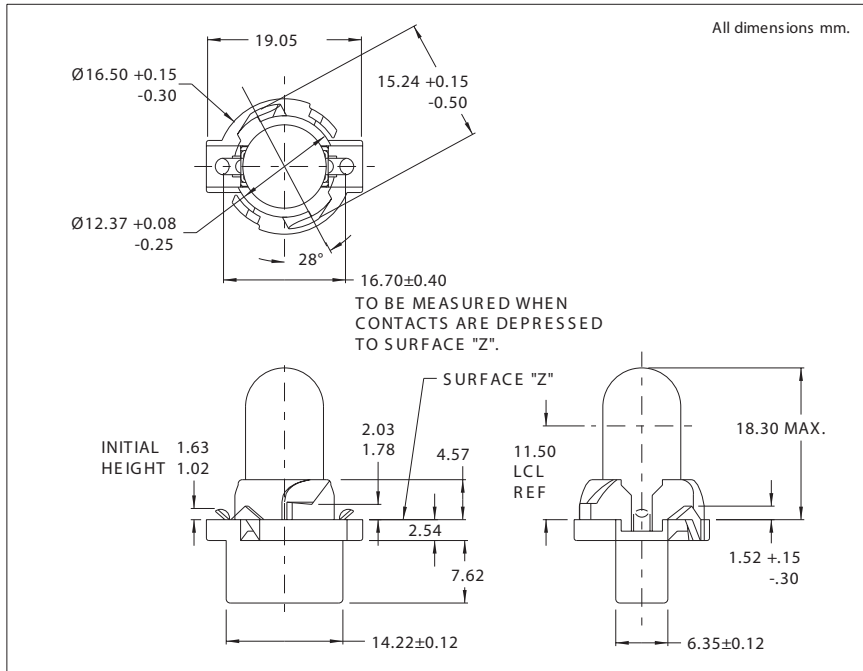




**5602 Series Relampable Socket**

**DESCRIPTION AND FEATURES**



Mounting: Printed circuit board, twist-in

Mounting pattern on page SP 2.

Contacts: C26000 copper alloy

Housing: Nylon

Lamp: T-3 1/4 with Living-Finger

LAMP VERSION		
SOCKET COLOR	LAMP TRADE NO.	CML PART NO.
GREY	194	56020103
NO LAMP VERSION		
BLACK	-	56020202
GREY	-	56020402