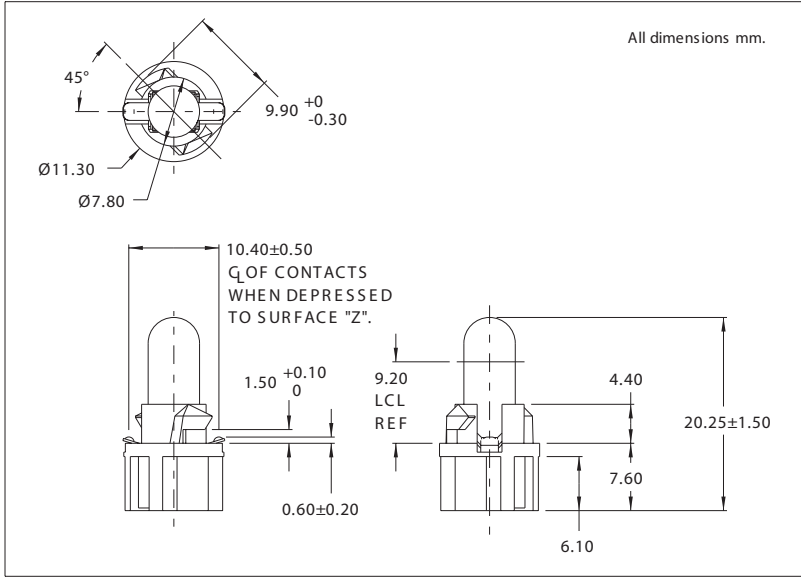




**5600 Series Relampable Socket**

**DESCRIPTION AND FEATURES**



Mounting: Printed circuit board, twist-in  
 Mounting pattern on page SP 2.  
 Contacts: C68800 copper alloy  
 Housing: Nylon  
 Lamp: T-1 3/4-S45

LAMP VERSION		
SOCKET COLOR	LAMP TRADE NO.	CML PART NO.
ORANGE	74	56000003
BLACK	74	56000103
GREEN	74	56000403
BLUE	76	56000303
GREY	80	56000203

*Chicago Miniature Lamp reserves the right to make specification revisions that enhance the design and/or performance of the product*