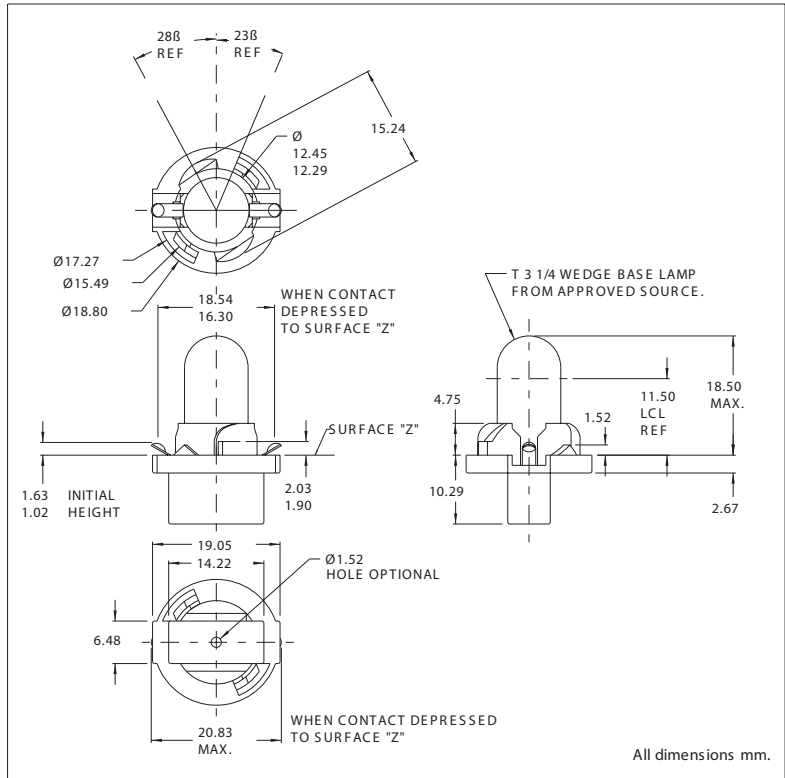




5525 Series Relampable Socket

DESCRIPTION AND FEATURES



Mounting: Printed circuit board, twist-in

Mounting pattern on page SP2.

Contacts: C26000 copper alloy

Housing: Nylon

Lamp: T-3 1/4 Full Flanged

LAMP VERSION		
SOCKET COLOR	LAMP TRADE NO.	CML PART NO.
GREEN	158	55250703
BLACK	161	55250503
BLACK	194	55250203
GREY	194	55250603
NO LAMP VERSION		
BLACK	-	55250202