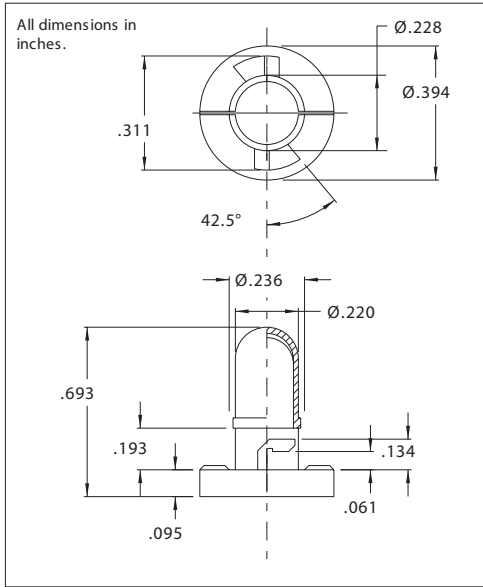




PC Ba7A T-1 1/2 Neo-Wedge Base Incandescent Lamp with Filter Boot

DESCRIPTION AND FEATURES



Solder pad geometry on page SP 1.

ELECTRICAL CHARACTERISTICS

Part Number	Design Voltage	Amps	MSCP Nom.	Life Hours	Filament Type
PC Ba7A-1	5.0	.060	.05*	40,000	C-2R
PC Ba7A-2	5.0	.075	.09*	25,000	C-2R
PC Ba7A-3	5.0	.115	.15*	30,000	C-2R
PC Ba7A-4	6.3	.100	.20*	5,000	C-2R
PC Ba7A-5	6.3	.200	.40*	40,000	C-2V
PC Ba7A-6	14.0	.040	.09*	16,000	C-2V
PC Ba7A-7	14.0	.040	.12*	16,000	C-2V
PC Ba7A-8	14.0	.040	.15*	16,000	C-2V
PC Ba7A-9	14.0	.065	.16*	10,000	C-2V
PC Ba7A-10	14.0	.080	.30*	15,000	C-2V
PC Ba7A-11	14.0	.100	.50*	10,000	C-2V
PC Ba7A-12	14.0	.125	.70*	10,000	C-2V
PC Ba7A-13	14.0	.135	.80*	10,000	C-2V
PC Ba7A-14	28.0	.035	.10*	20,000	C-2F
PC Ba7A-15	28.0	.040	.30*	4,000	C-2F

Filter boots are formulated to meet specific color requirements. Please contact the factory for availability regarding your color needs.
 *PC Ba7A version is also available without filter boot assembled.
 **MSCP value is without filter boot.