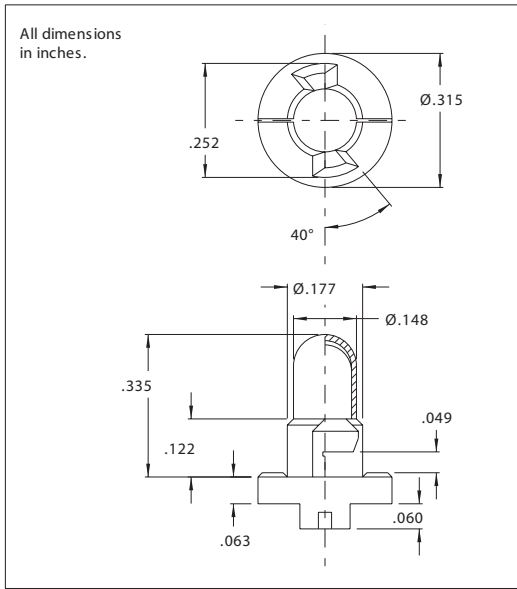




**PC Ba8 T-1 Neo-Wedge Base Incandescent Lamp with Filter Boot**

**DESCRIPTION AND FEATURES**



Solder pad geometry on page SP 1.

**ELECTRICAL CHARACTERISTICS**

Part Number	Design Voltage	Amps	MSCP Nom.	Life Hours	Filament Type
PC Ba8-1	5.0	.060	.05*	40,000	C-2R
PC Ba8-2	5.0	.075	.09*	25,000	C-2R
PC Ba8-3	5.0	.115	.15*	30,000	C-2R
PC Ba8-4	6.3	.100	.20*	5,000	C-2R
PC Ba8-5	14.0	.033	.05*	10,000	C-2V
PC Ba8-6	14.0	.040	.09*	16,000	C-2V
PC Ba8-7	14.0	.040	.12*	16,000	C-2V
PC Ba8-8	14.0	.040	.15*	16,000	C-2V
PC Ba8-9	14.0	.065	.16*	10,000	C-2V

Filter boots are formulated to meet specific color requirements.  
 Please contact the factory for availability regarding your color needs.  
 \*\*PC Ba9 version is available without filter boot assembled.  
 \*MSCP value is without filter boot.