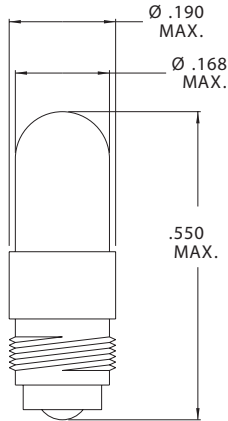


147 Central Avenue
 Hackensack, New Jersey 07601
 Tel: 201-489-8989 • Fax: 201-489-6911



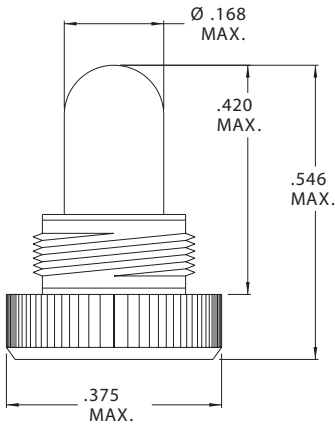
CHICAGO MINIATURE LAMP, INC.
 WHERE INNOVATION COMES TO LIGHT

T-1 1/4 Special Screw Base



Part Number	Design Voltage	Amps	MSCP	Life Hours	Filament Type
CM7303	1.30	.030	.006	100	S-2
CM8641	1.35	.060	.006	500	C-2R
CM329	2.50	.400	.550	30	C-2R
CM325	3.00	.190	.250	350	C-2R
CM3515	5.00	.115	.150	40,000	C-2R
CM3580	5.00	.060	.030	60,000	C-2R
CM3583	5.00	.060	.050	25,000	C-2R
CM371	6.00	.060	.130	3,000	C-2R
CM8645	6.00	.200	.630	1,000	C-2R
CM8552	6.30	.200	.550	5,000	C-2R
CM8644	14.00	.080	.500	1,000	C-2F
CM8635	28.00	.050	.320	1,000	C-2F

T-1 1/4 Knurled Screw Base



Part Number	Design Voltage	Amps	MSCP	Life Hours	Filament Type
CM7301	1.30	.030	.006	100	S-2
CM8647	1.35	.060	.006	500	C-2R
CM326	2.50	.400	.550	30	C-2R
CM323	3.00	.190	.250	350	C-2R
CM3516	5.00	.115	.150	40,000	C-2R
CM3581	5.00	.060	.030	60,000	C-2R
CM3584	5.00	.060	.050	25,000	C-2R
CM8543	6.00	.060	.130	3,000	C-2R
CM8639	6.00	.200	.630	1,000	C-2R
CM8553	6.30	.200	.550	5,000	C-2R
CM8654	14.00	.080	.500	1,000	C-2F
CM8623	28.00	.040	.320	1,000	C-2F

Chicago Miniature Lamp reserves the right to make specification revisions that enhance the design and/or performance of the product