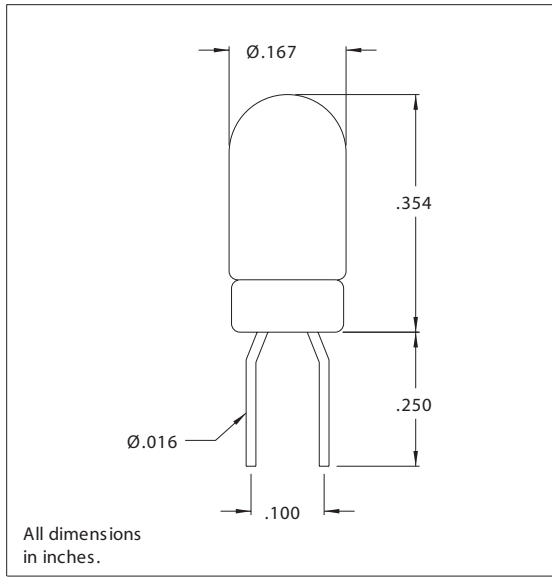




T-1 1/4 All Glass Bi-Pin (.100" IBP)

DESCRIPTION AND FEATURES



ELECTRICAL CHARACTERISTICS

Part Number	Design Voltage	Amps	MSCP	Life Hours	Filament Type
D30-1	5.0	.060	.05	40,000	C-2R
D30-2	5.0	.075	.09	25,000	C-2R
D30-3	5.0	.115	.15	30,000	C-2R
D30-4	6.3	.100	.20	5,000	C-2R
D30-5	6.3	.200	.40	40,000	C-2V
D30-6	14.0	.040	.09	16,000	C-2V
D30-7	14.0	.040	.12	16,000	C-2V
D30-8	14.0	.040	.15	16,000	C-2V
D30-9	14.0	.065	.16	10,000	C-2V
D30-10	14.0	.080	.30	15,000	C-2V
D30-11	14.0	.100	.50	10,000	C-2V
D30-12	28.0	.035	.10	20,000	C-2F
D30-13	28.0	.040	.30	4,000	C-2F