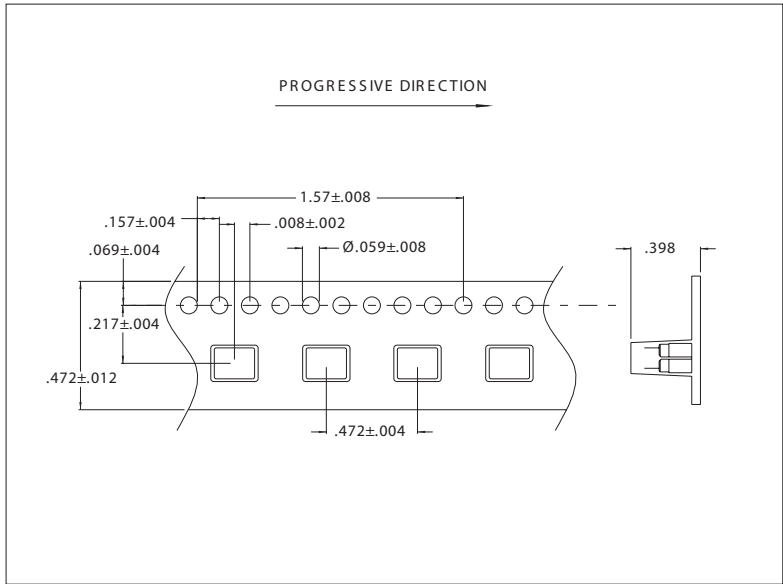
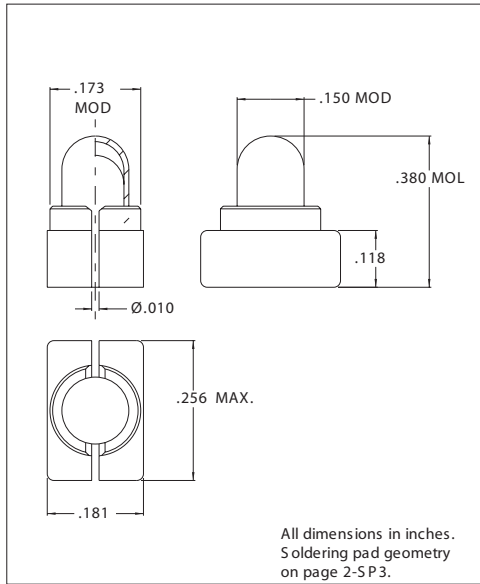




**SMD44 T-1 Vertical SMT Incandescent Lamp with Filter Boot**

**DESCRIPTION AND FEATURES**



**ELECTRICAL CHARACTERISTICS**

Part Number	Design Voltage	Amps	MSCP*	Life Hours	Filament Type
SMD-44-1	5.0	0.060	0.05	40,000	C-2R
SMD-44-2	5.0	0.075	0.09	25,000	C-2R
SMD-44-3	5.0	0.115	0.15	30,000	C-2R
SMD-44-4	6.3	0.100	0.20	5,000	C-2R
SMD-44-5	14.0	0.033	0.05	10,000	C-2V
SMD-44-6	14.0	0.040	0.09	16,000	C-2V
SMD-44-7	14.0	0.040	0.12	16,000	C-2V
SMD-44-8	14.0	0.040	0.15	16,000	C-2V
SMD-44-9	14.0	0.065	0.16	10,000	C-2V

\* MSCP value is without filter boot.  
 Filter boots are formulated to meet specific color requirements.  
 Please contact the factory for availability regarding your color needs.