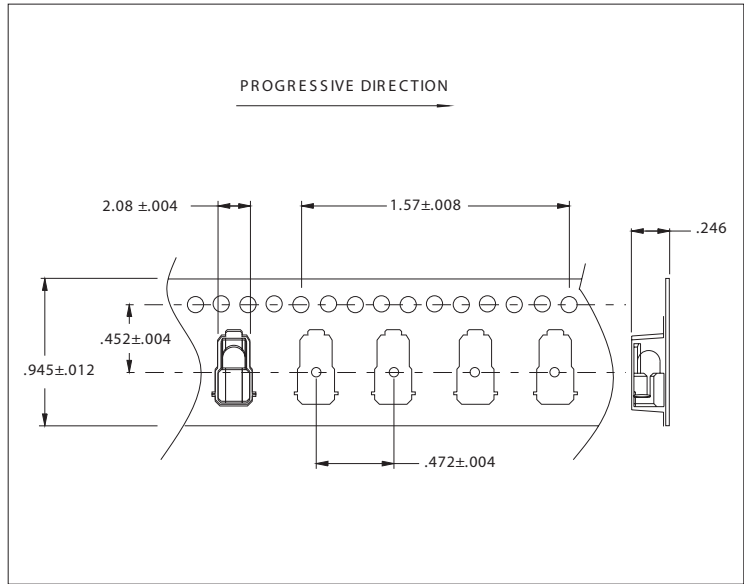
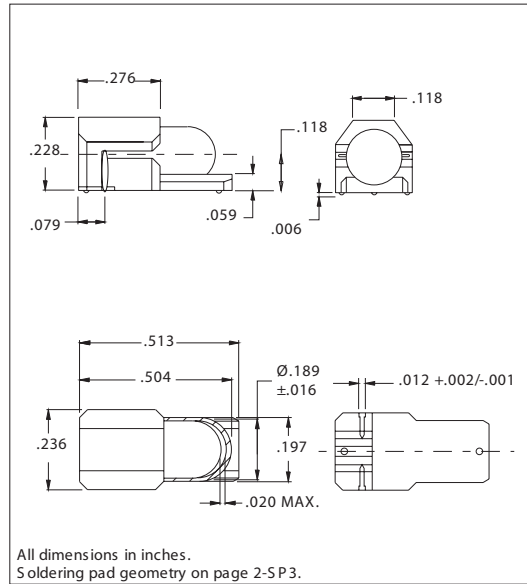




**SMD32 T-1 1/4 Right Angle SMT Incandescent Lamp with Filter Boot**

**DESCRIPTION AND FEATURES**



**ELECTRICAL CHARACTERISTICS**

Part Number	Design Voltage	Amps	MSCP*	Life Hours	Filament Type
SMD-32-1	5.0	0.060	0.05	40,000	C-2R
SMD-32-2	5.0	0.080	0.10	25,000	C-6
SMD-32-3	5.0	0.115	0.15	30,000	C-2V
SMD-32-4	6.3	0.200	0.40	40,000	C-2V
SMD-32-5	14.0	0.040	0.10	5,000	C-2V
SMD-32-6	14.0	0.050	0.05	10,000	C-2V
SMD-32-7	14.0	0.080	0.30	15,000	C-2V
SMD-32-8	14.0	0.100	0.40	10,000	C-2V
SMD-32-9	14.0	0.100	0.50	10,000	C-2V

\* MSCP value is without filter boot.  
 Filter boots are formulated to meet specific color requirements.  
 Please contact the factory for availability regarding your color needs.