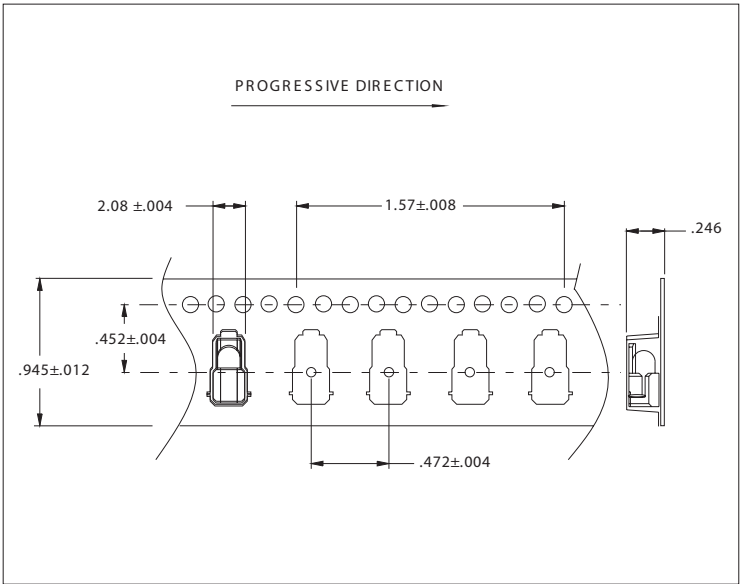
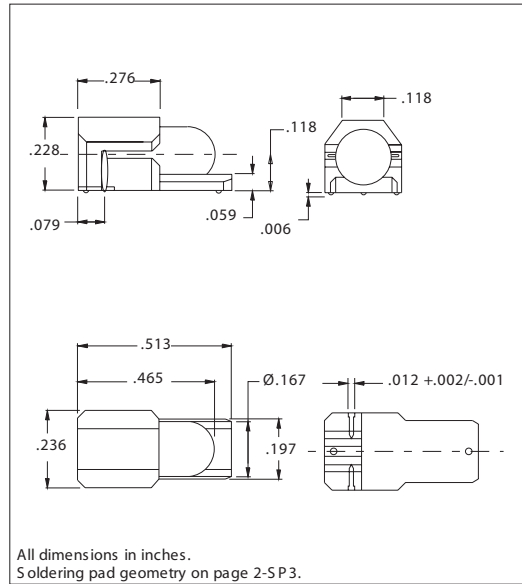




SMD31 T-1 1/4 Right Angle SMT Incandescent Lamp

DESCRIPTION AND FEATURES



ELECTRICAL CHARACTERISTICS

Part Number	Design Voltage	Amps	MSCP	Life Hours	Filament Type
SMD-31-1	5.0	0.060	0.05	40,000	C-2R
SMD-31-2	5.0	0.080	0.10	25,000	C-6
SMD-31-3	5.0	0.115	0.15	30,000	C-2V
SMD-31-4	6.3	0.200	0.40	40,000	C-2V
SMD-31-5	14.0	0.040	0.10	5,000	C-2V
SMD-31-6	14.0	0.050	0.05	10,000	C-2V
SMD-31-7	14.0	0.080	0.30	15,000	C-2V
SMD-31-8	14.0	0.100	0.40	10,000	C-2V
SMD-31-9	14.0	0.100	0.50	10,000	C-2V
SMD-31-10	14.0*	0.125	0.70	10,000	C-2V
SMD-31-11	14.0*	0.135	0.80	10,000	C-2V

* T-1 1/2 size bulb