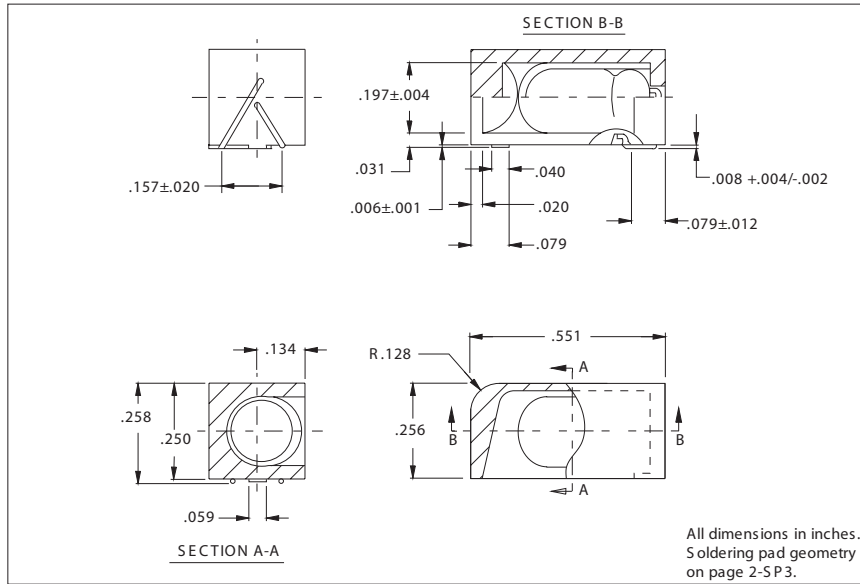




SMD27 T-1 1/4 Right Angle SMT Incandescent Lamp with Filter Boot

DESCRIPTION AND FEATURES



ELECTRICAL CHARACTERISTICS

Part Number	Design Voltage	Amps	MSCP*	Life Hours	Filament Type
SMD-27-1	5.0	0.060	0.05	40,000	C-2R
SMD-27-2	5.0	0.080	0.10	25,000	C-6
SMD-27-3	5.0	0.115	0.15	30,000	C-2V
SMD-27-4	6.3	0.200	0.40	40,000	C-2V
SMD-27-5	14.0	0.040	0.10	5,000	C-2V
SMD-27-6	14.0	0.050	0.05	10,000	C-2V
SMD-27-7	14.0	0.080	0.30	15,000	C-2V
SMD-27-8	14.0	0.100	0.40	10,000	C-2V
SMD-27-9	14.0	0.100	0.20	10,000	C-2V

* MSCP value is without filter boot.
 Filter boots are formulated to meet specific color requirements.
 Please contact the factory for availability regarding your color needs.