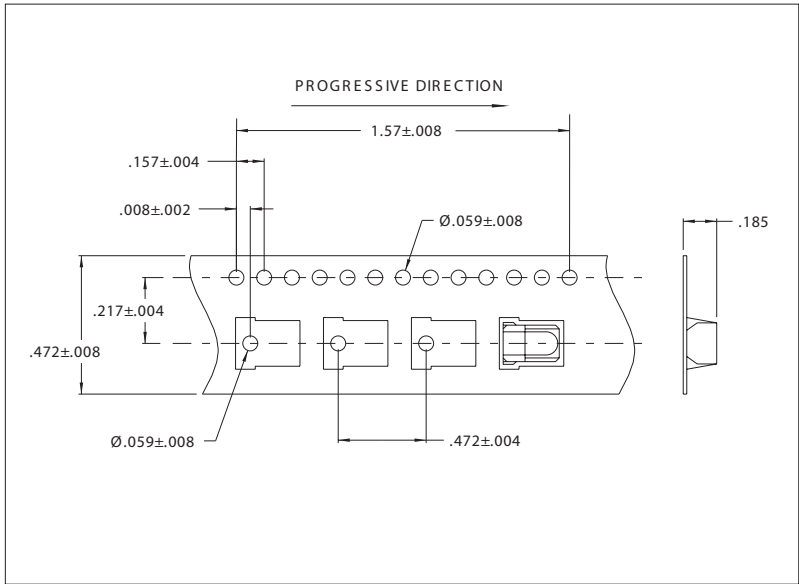
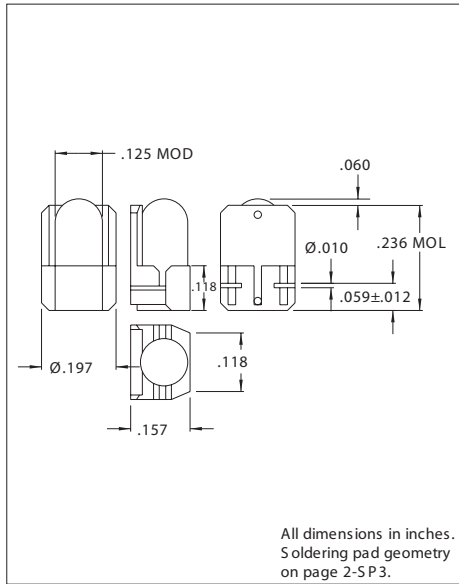




**SMD11 T-1 Short Right Angle SMT Incandescent Lamp**

**DESCRIPTION AND FEATURES**



**ELECTRICAL CHARACTERISTICS**

Part Number	Design Voltage	Amps	MSCP	Life Hours	Filament Type
SMD-11-1	5.0	0.060	0.05	40,000	C-2R
SMD-11-2	5.0	0.075	0.09	25,000	C-2R
SMD-11-3	5.0	0.115	0.15	30,000	C-2R
SMD-11-4	6.3	0.100	0.20	5,000	C-2R
SMD-11-5	14.0	0.033	0.05	10,000	C-2V
SMD-11-6	14.0	0.040	0.09	16,000	C-2V
SMD-11-7	14.0	0.040	0.12	16,000	C-2V
SMD-11-8	14.0	0.040	0.15	16,000	C-2V
SMD-11-9	14.0	0.065	0.16	10,000	C-2V