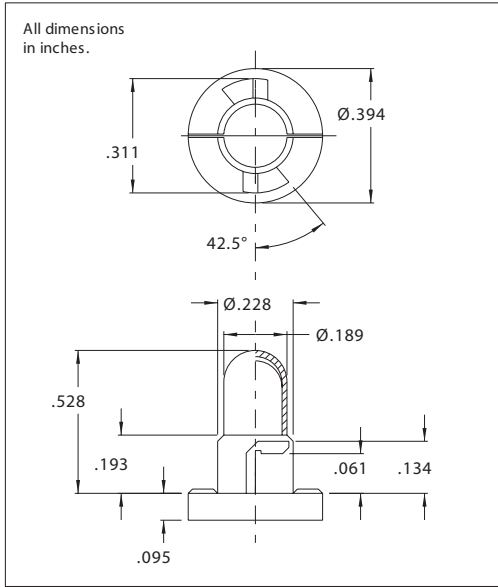




PC Ba7 T-1 1/4 Neo-Wedge Base Incandescent Lamp with Filter Boot

DESCRIPTION AND FEATURES



Solder pad geometry on page SP 1.

ELECTRICAL CHARACTERISTICS

| Part Number | Design Voltage | Amps | MSCP Nom. | Life Hours | Filament Type |
|-------------|----------------|------|-----------|------------|---------------|
| PC Ba7-1 | 5.0 | .060 | .05* | 40,000 | C-2R |
| PC Ba7-2 | 5.0 | .075 | .09* | 25,000 | C-2R |
| PC Ba7-3 | 5.0 | .115 | .15* | 30,000 | C-2R |
| PC Ba7-4 | 6.3 | .100 | .20* | 5,000 | C-2R |
| PC Ba7-5 | 6.3 | .200 | .40* | 40,000 | C-2V |
| PC Ba7-6 | 14.0 | .040 | .09* | 16,000 | C-2V |
| PC Ba7-7 | 14.0 | .040 | .12* | 16,000 | C-2V |
| PC Ba7-8 | 14.0 | .040 | .15* | 16,000 | C-2V |
| PC Ba7-9 | 14.0 | .065 | .16* | 10,000 | C-2V |
| PC Ba7-10 | 14.0 | .080 | .30* | 15,000 | C-2V |
| PC Ba7-11 | 14.0 | .100 | .50* | 10,000 | C-2V |
| PC Ba7-12 | 28.0 | .035 | .10* | 20,000 | C-2F |
| PC Ba7-13 | 28.0 | .040 | .30* | 4,000 | C-2F |

Filter boots are formulated to meet specific color requirements.
 Please contact the factory for availability regarding your color needs.
 *MSCP value is without filter boot.