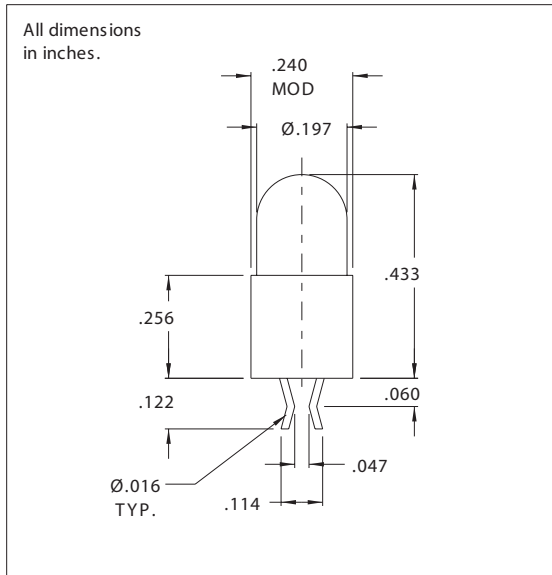




T-1 1/2 PCB Mount Bi-Pin Incandescent Lamp

DESCRIPTION AND FEATURES



ELECTRICAL CHARACTERISTICS

Part Number	Design Voltage	Amps	MSCP Nom.	Life Hours	Filament Type
PC H61-1	5.0	.060	.05	40,000	C-2R
PC H61-2	5.0	.075	.09	25,000	C-2R
PC H61-3	5.0	.115	.15	30,000	C-2R
PC H61-4	6.3	.100	.20	5,000	C-2R
PC H61-5	6.3	.200	.40	40,000	C-2V
PC H61-6	14.0	.040	.09	16,000	C-2V
PC H61-7	14.0	.040	.12	16,000	C-2V
PC H61-8	14.0	.040	.15	16,000	C-2V
PC H61-9	14.0	.065	.16	10,000	C-2V
PC H61-10	14.0	.080	.30	15,000	C-2V
PC H61-11	14.0	.100	.50	10,000	C-2V
PC H61-12	28.0	.125	.70	10,000	C-2V
PC H61-13	28.0	.135	.80	10,000	C-2V
PC H61-14	28.0	.035	.10	20,000	C-2F
PC H61-15	28.0	.040	.30	4,000	C-2F

Chicago Miniature Lamp reserves the right to make specification revisions that enhance the design and/or performance of the product