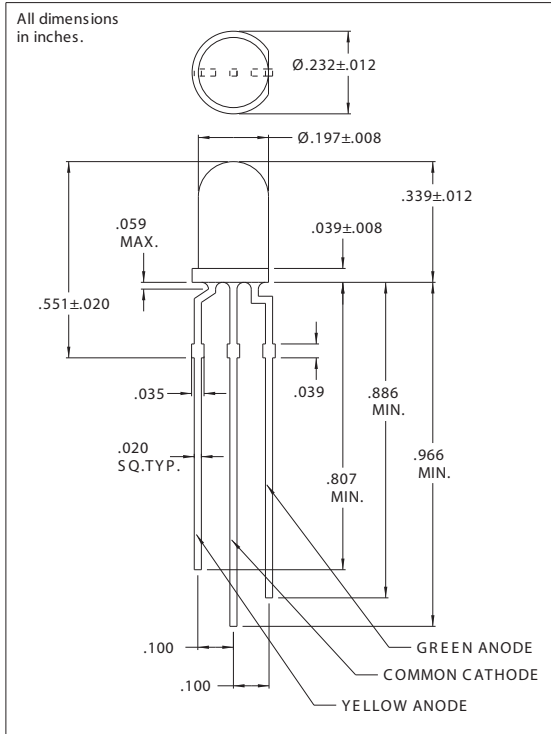




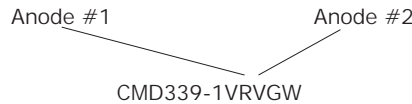
T-1 3/4 Super Brite Four-State LED Lamps

DESCRIPTION AND FEATURES



These T-1 3/4 Super Brite LED lamps provide exceptional luminous intensity compared to conventional LED lamps. Their unique design provides for four-state status indication. These lamps are available in a variety of color combinations, in both diffused and non-diffused packages.

Color designation example:



ELECTRO-OPTICAL CHARACTERISTICS AND RATINGS

PART NUMBER	CMD339VRVGW		CMD339RVYVW		CMD339VYVGW		CMD339-1SRVGW/S150	
Output Color	H.E.Red	Green	H.E.Red	Yellow	Yellow	Green	Red	Green
Diffusion	Diffused	Diffused	Diffused	Diffused	Diffused	Diffused	Diffused	Diffused
Package Color	White	White	White	White	White	White	White	White
Test Current (mA)	20	20	20	20	20	20	20	20
Forward Voltage Typ. (V)	2.0	2.1	2.0	2.0	2.0	2.1	1.7	2.1
Forward Voltage Max. (V)	2.8	2.8	2.8	2.8	2.8	2.8	2.4	2.8
Luminous Intensity Min. (mcd)	7.0	9.0	7.0	6.0	6.0	9.0	30.0	25.0
Luminous Intensity Typ. (mcd)	12.0	16.0	12.0	10.5	10.5	16.0	50.0	40.0
Forward Current (mA)	30	25	30	30	30	25	30	25
Peak Wavelength (nm)	635	565	635	585	585	565	660	565
Viewing Angle 2θ 1/2 (degrees)	54	54	54	54	54	54	50	50
Power Dissipation (mW)	105	105	105	105	105	105	105	105
Operating Temperature (°C)	-40 to +85	-40 to +85	-40 to +85	-40 to +85	-40 to +85	-40 to +85	-40 to +85	-40 to +85
Storage Temperature (°C)	-40 to +85	-40 to +85	-40 to +85	-40 to +85	-40 to +85	-40 to +85	-40 to +85	-40 to +85
Peak Forward Current Max. (T<10ms)	150	150	150	150	150	150	150	150
Reverse Voltage (IR=100µA) (V)	5	5	5	5	5	5	5	5
Lead Solder Time @ 260°C	5	5	5	5	5	5	5	5