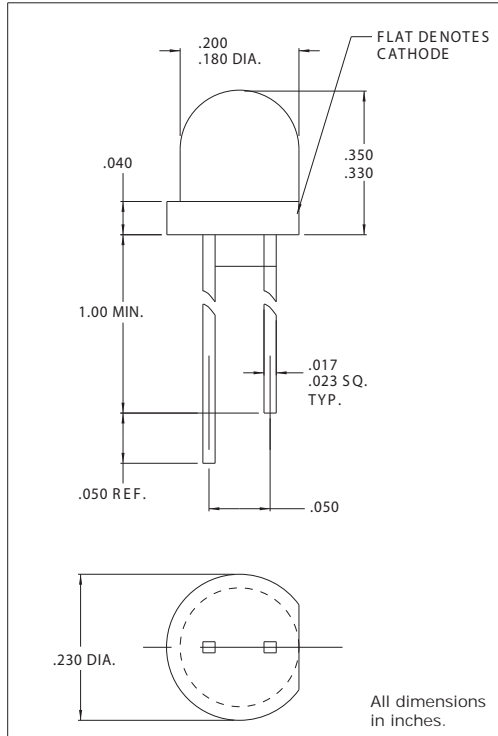




T-1 3/4 Low Profile LED Lamps

DESCRIPTION AND FEATURES



This T-1 3/4 HLMP4700 Series is a pin for pin replacement for Hewlett Packard lamps. All devices feature medium wide view angles. The design of the LED chips is optimized for low current applications and is far superior in luminous intensity compared to standard LED lamps at very low operating currents. These LED lamps are primarily intended for direct viewing. These lamps feature 4mW power and 2mA drive for low power TTL and CMOS circuits.

ELECTRO-OPTICAL CHARACTERISTICS AND RATINGS

PART NUMBER	HLMP4700	HLMP4719	HLMP4740*
Output Color	H.E.Red	Yellow	H.E.Green
Diffusion	Diffused	Diffused	Diffused
Package Color	Red	Yellow	Green
Test Current (mA)	2	2	2
Forward Voltage Typ. (V)	1.8	1.9	1.9
Forward Voltage Max. (V)	2.2	2.7	2.7
Luminous Intensity Min. (mcd)	1.2	1.2	1.2
Luminous Intensity Typ. (mcd)	2.0	2.0	3.0
Luminous Intensity Max. (mcd)	-	-	-
Peak Wavelength (nm)	635	585	565
Viewing Angle 2θ 1/2 (degrees)	35	35	35
Power Dissipation (mW)	27	24	27
Operating Temperature (°C)	-55 to +100	-55 to +100	-55 to +100
Storage Temperature (°C)	-55 to +100	-55 to +100	-55 to +100
Peak Forward Current Max. (1μs @ 0.3% duty cycle) (mA)	25	25	25
Reverse Voltage (IR=100μA) (V)	5	5	5
Lead Solder Time @ 260°C	5	5	5

* was CMD2454