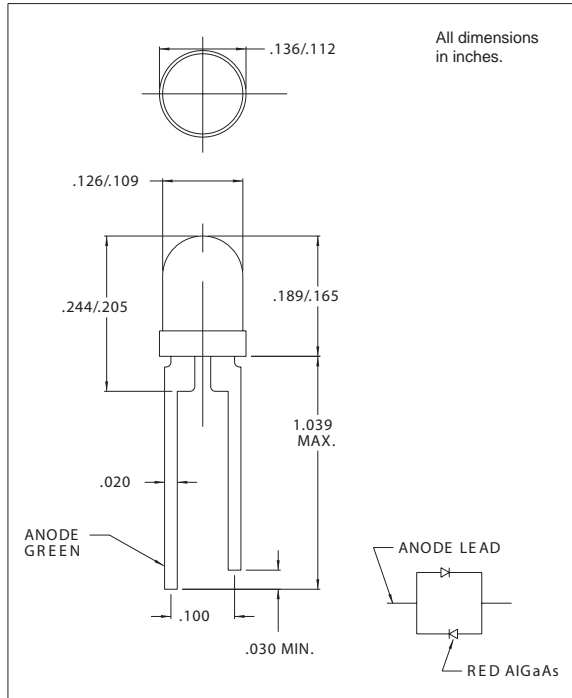




## T-100 (T-1) Bi-Color/Bi-Polar LED Lamps

### DESCRIPTION AND FEATURES



The CMD6461 is a white diffused wide view angle dual chip, four-state lamp utilizing deep red AlGaAs and High Efficiency Green GaP. When AC driven, the lamp appears orange. The CMD6661 is a red diffused wide view angle bi-polar lamp featuring red AlGaAs and GaAsP/GaP technology. These lamps provide excellent uniformity and visual appeal. Additionally, these lamps incorporate radically improved die off-center characteristics and improved durability to soldering heat.

### ELECTRO-OPTICAL CHARACTERISTICS AND RATINGS

PART NUMBER	CMD6461		CMD6661	
	Red	H.E.Green	Red	H.E.Red
Output Color	Red	H.E.Green	Red	H.E.Red
Diffusion	Diffused	Diffused	Diffused	Diffused
Package Color	White	White	Red	Red
Test Current (mA)	20	20	20	20
Forward Voltage Typ. (V)	2.1	2.1	2.1	2.1
Forward Voltage Max. (V)	3.0	3.0	3.0	3.0
Luminous Intensity Min. (mcd)	2.5	2.5	2.5	2.5
Luminous Intensity Typ. (mcd)	10	10	10	10
Luminous Intensity Max. (mcd)	-	-	-	-
Peak Wavelength (nm)	650	567	650	630
Viewing Angle (degrees)	100	100	100	100
Power Dissipation (mW)	135	135	135	135
Operating Temperature (°C)	-55 to +100	-55 to +100	-55 to +100	-55 to +100
Storage Temperature (°C)	-55 to +100	-55 to +100	-55 to +100	-55 to +100
Peak Forward Current Max. (1µs @ 0.3% duty cycle) (mA)	90	90	90	90
Reverse Voltage (IR=100µA) (V)	5	5	5	5
Lead Solder Time @ 260°C	5	5	5	5