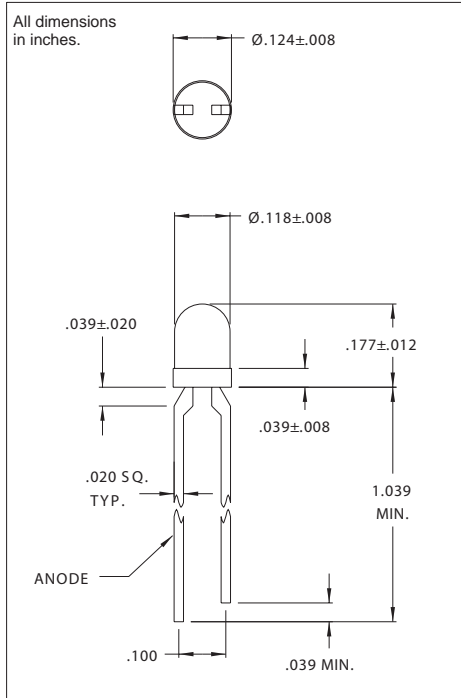




T-100 (T-1) Low Current LED Lamps

DESCRIPTION AND FEATURES



This T-1 HLMP1700 Series is a pin for pin replacement for Hewlett Packard lamps. All devices feature medium to wide view angles. The design of the LED chips is optimized for low current applications and is far superior in luminous intensity compared to standard LED lamps at very low operating currents. These LED lamps are primarily intended for direct viewing. These lamps feature 4 mW power and 2 mA drive for low power TTL and CMOS circuits.

ELECTRO-OPTICAL CHARACTERISTICS AND RATINGS

PART NUMBER	HLMP 1700	HLMP 1719	HLMP 1790
Output Color	H.E. Red	Yellow	H.E. Green
Diffusion	Diffused	Diffused	Diffused
Package Color	Red	Yellow	Green
Test Current (mA)	2	2	2
Forward Voltage Typ. (V)	1.8	1.9	1.9
Forward Voltage Max. (V)	2.2	2.7	2.7
Luminous Intensity Min. (mcd)	1.0	1.0	1.0
Luminous Intensity Typ. (mcd)	2.0	2.0	2.0
Luminous Intensity Max. (mcd)	-	-	-
Peak Wavelength (nm)	635	585	565
Viewing Angle (degrees)	50	50	50
Power Dissipation (mW)	27	24	27
Operating Temperature (°C)	-55 to +100	-55 to +100	-55 to +100
Storage Temperature (°C)	-55 to +100	-55 to +100	-55 to +100
Peak Forward Current Max. (1µs @ 10% duty cycle) (mA)	25	20	25
Reverse Voltage (IR=100µA) (V)	5	5	5
Lead Solder Time @ 260°C	5	5	5