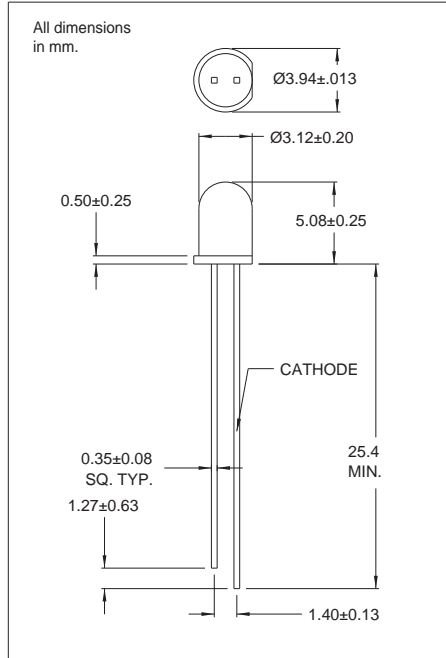




T-1 Standard Profile LED Lamps

DESCRIPTION AND FEATURES



These solid state indicators offer a variety of color selections. The High Efficiency Red, Green and Yellow devices are made with a GaAsP/GaP chip. Their small size provides a very good viewing angle, and their small square leads add to their versatility as good all purpose indicators. These lamps can be mounted on approximately 4.7mm centers.

ELECTRO-OPTICAL CHARACTERISTICS AND RATINGS

PART NUMBER	CMD5074C	CMD5075C	CMD5374C	CMD5474C	CMD5774C
Output Color	Red	Red	Yellow	H.E. Green	H.E. Red
Diffusion	Non-Diffused	Diffused	Diffused	Diffused	Diffused
Package Color	Red	Red	Yellow	Green	Red
Test Current (mA)	20	20	20	20	20
Forward Voltage Typ. (V)	1.6	1.6	2.1	2.2	2.0
Forward Voltage Max. (V)	2.0	2.0	3.0	3.0	3.0
Luminous Intensity Min. (mcd)	0.7	0.6	1.5	1.2	1.5
Luminous Intensity Typ. (mcd)	2.5	1.5	9.0	9.0	9.0
Luminous Intensity Max. (mcd)	-	-	-	-	-
Peak Wavelength (nm)	660	660	585	565	635
Viewing Angle (degrees)	70	90	90	90	90
Power Dissipation (mW)	105	105	105	105	105
Operating Temperature (°C)	-55 to +100	-55 to +100	-55 to +100	-55 to +100	-55 to +100
Storage Temperature (°C)	-55 to +100	-55 to +100	-55 to +100	-55 to +100	-55 to +100
Peak Forward Current Max. (1µs @ 0.3% duty cycle) (mA)	100	100	60	90	100
Reverse Voltage (IR=100µA) (V)	5	5	5	5	5
Lead Solder Time @ 260°C	5	5	5	5	5