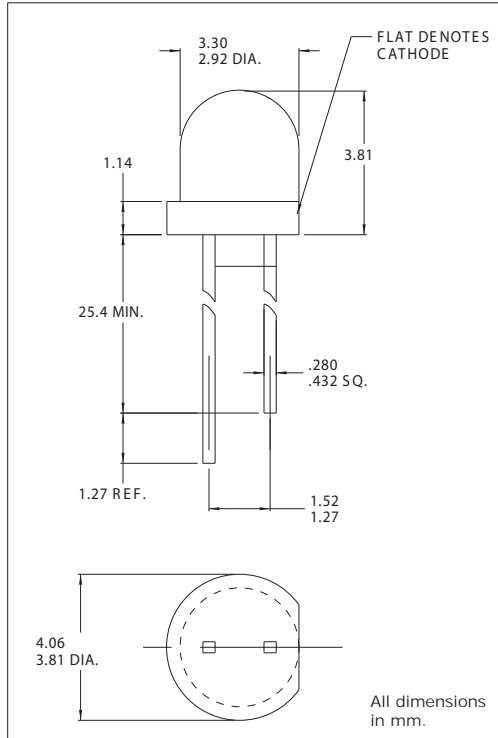




## T-1 Low Profile LED Lamps

### DESCRIPTION AND FEATURES



These LED lamps feature a low profile T-1 package. They offer a very wide viewing angle, a compact size and approximately 4.7mm mounting centers.

### ELECTRO-OPTICAL CHARACTERISTICS AND RATINGS

PART NUMBER	CMD5077C	CMD5377C	CMD5477C	CMD5777C
Output Color	Red	Yellow	H.E. Green	H.E. Red
Diffusion	Diffused	Diffused	Diffused	Diffused
Package Color	Red	Yellow	Green	Red
Test Current (mA)	20	20	20	20
Forward Voltage Typ. (V)	1.6	2.1	2.2	2.0
Forward Voltage Max. (V)	2.0	3.0	3.0	3.0
Luminous Intensity Min. (mcd)	0.3	1.0	1.0	1.0
Luminous Intensity Typ. (mcd)	1.75	7.0	7.0	7.0
Luminous Intensity Max. (mcd)	-	-	-	-
Peak Wavelength (nm)	660	585	565	635
Viewing Angle (degrees)	110	180	180	180
Power Dissipation (mW)	105	105	105	105
Operating Temperature (°C)	-55 to +100	-55 to +100	-55 to +100	-55 to +100
Storage Temperature (°C)	-55 to +100	-55 to +100	-55 to +100	-55 to +100
Peak Forward Current Max. (1µs @ 0.3% duty cycle) (mA)	100	60	90	100
Reverse Voltage (IR=100µA) (V)	5.0	5.0	5.0	5.0
Lead Solder Time @ 260°C	5	5	5	5

Chicago Miniature Lamp reserves the right to make specification revisions that enhance the design and/or performance of the product