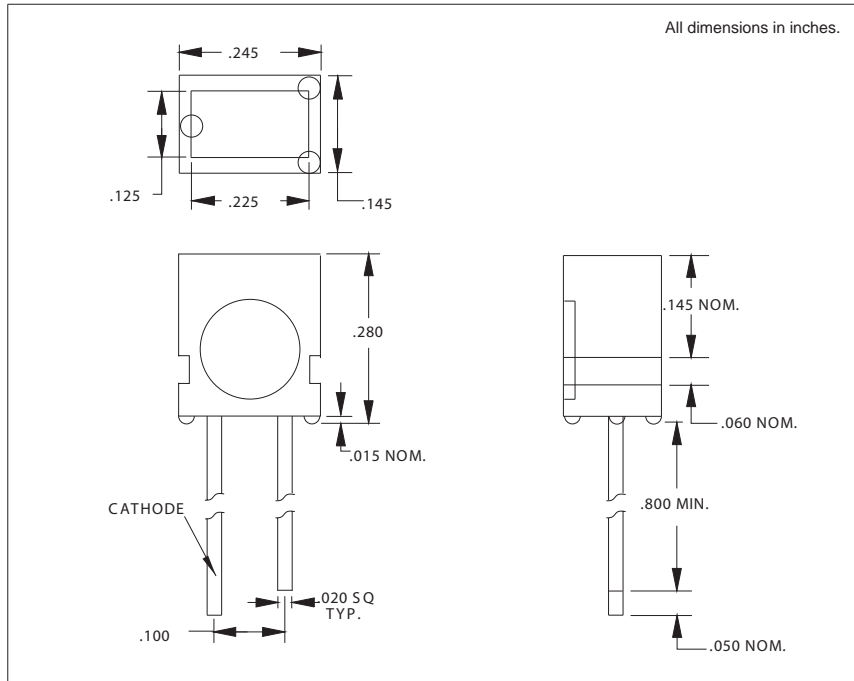




## High Performance Rectangular LED Lamps

### DESCRIPTION AND FEATURES



The CMD5X124A Series of high performance rectangular LED lamps with reflector cap has been engineered for superior light uniformity. Designed for direct viewing and legend backlighting, these lamps are stackable in X or Y direction without crosstalk. The white diffused Green/Red dual chip lamp is produced with GaP/GaP and AlGaAs. The High Efficiency Red and Yellow lamps are produced with GaAsP/GaP and the High Efficiency Green lamp is produced with GaP/GaP. Typical applications include legend backlighting, panel indication and high quality bar graphs.

### ELECTRO-OPTICAL CHARACTERISTICS AND RATINGS

PART NUMBER	CMD53124A	CMD54124A	CMD57124A	CMD49124A
Output Color	Yellow	H.E.Green	H.E.Red	H.E.Green/Red
Diffusion	Diffused	Diffused	Diffused	Diffused
Package Color	Yellow	Green	Red	White
Test Current (mA)	20	20	20	20
Forward Voltage Typ. (V)	2.0	2.2	2.0	2.2
Forward Voltage Max. (V)	3.0	3.0	3.0	3.0
Luminous Intensity Min. (mcd)	1.0	1.0	1.0	1.0
Luminous Intensity Typ. (mcd)	6.0	6.0	6.0	6.0
Luminous Intensity Max. (mcd)	-	-	-	-
Peak Wavelength (nm)	585	562	635	562/660
Viewing Angle 2θ 1/2 (degrees)	100	100	100	100
Power Dissipation (mW)	120	120	120	120
Operating Temperature (°C)	-55 to +100	-55 to +100	-55 to +100	-55 to +100
Storage Temperature (°C)	-55 to +100	-55 to +100	-55 to +100	-55 to +100
Peak Forward Current Max. (1µs @ 0.3% duty cycle) (mA)	90	90	90	90
Reverse Voltage (IR=100µA) (V)	5	5	5	5
Lead Solder Time @ 260°C	5	5	5	5