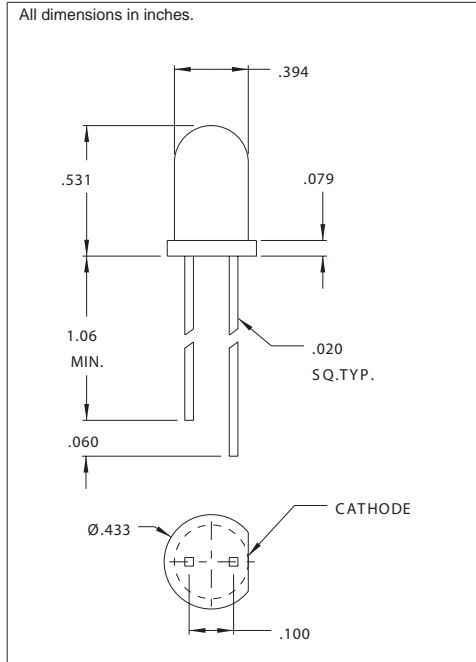




T-3 1/4 Super Brite LED Lamps

DESCRIPTION AND FEATURES



These T-3 1/4 (10mm) LED lamps provide exceptional luminous intensity in a larger diameter package. These lamps are ideal for applications requiring a predominant indicator/status light. Lamps are available in both wide view angle (diffused) and narrow view angle (non-diffused) packages. Luminous intensities as high as 3000 mcd in non-diffused packages are available.

ELECTRO-OPTICAL CHARACTERISTICS AND RATINGS

PART NUMBER	CMD363VRD	CMD363VGD	CMD363VYD	CMD363VGT	CMD363VYC	CMD1363URC-1	CMD1363URC-2	CMD1363URC-3
Output Color	H.E.Red	Green	Yellow	Green	Yellow	Red	Red	Red
Diffusion	Diffused	Diffused	Diffused	Tinted	Non-Diffused	Non-Diffused	Non-Diffused	Non-Diffused
Package Color	Red	Green	Yellow	Green	Clear	Clear	Clear	Clear
Test Current (mA)	20	20	20	20	20	20	20	20
Forward Voltage Typ. (V)	2.0	2.1	2.0	2.1	2.1	1.7	1.7	1.7
Forward Voltage Max. (V)	2.8	2.8	2.8	2.8	2.8	2.4	2.4	2.4
Luminous Intensity Min. (mcd)	25.0	30.0	30.0	250.0	250.0	600.0	1100.0	2000.0
Luminous Intensity Typ. (mcd)	40.0	70.0	70.0	400.0	400.0	1000.0	2000.0	3000.0
Luminous Intensity Max. (mcd)	-	-	-	-	-	-	-	-
Peak Wavelength (nm)	635	565	585	565	585	660	660	660
Viewing Angle 2θ 1/2 (degrees)	20	20	20	8	8	8	8	8
Power Dissipation (mW)	105	105	105	105	105	105	105	105
Operating Temperature (°C)	-40 to +85	-40 to +85	-40 to +85	-40 to +85	-40 to +85	-40 to +85	-40 to +85	-40 to +85
Storage Temperature (°C)	-40 to +85	-40 to +85	-40 to +85	-40 to +85	-40 to +85	-40 to +85	-40 to +85	-40 to +85
Peak Forward Current Max. (T<10ms) (mA)	150	150	150	150	150	150	150	150
Reverse Voltage (IR=100µA) (V)	5	5	5	5	5	5	5	5
Lead Solder Time @ 260°C	5	5	5	5	5	5	5	5