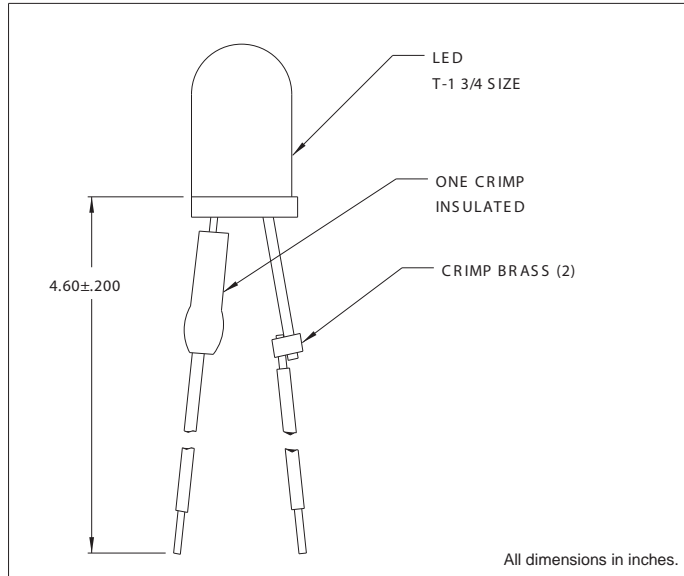




5705H Series T-1 3/4 LED with Extended Leads-Ultra Brite Non-Diffused Narrow Beam

DESCRIPTION AND FEATURES



T-1 3/4 Brite LEDs

Wire Leads: No. 24AWG
 4.60±.200 STRIPPED .430/.570

Anode(+): Red Lead

Lens: Ideal for use with 4311 or
 4321 Series lenses (See page 0-0)

ELECTRO-OPTICAL CHARACTERISTICS AND RATINGS

Part Number	Emitted Color	Typical Intensity (mcd)	Rated Current (mA)	Forward Voltage		Continuous Forward Current Max. (mA)	Reverse Breakdown Voltage Min. (V).	Peak Wave Length (nm)
				Typ. (V)	Max. (V)			
5705H1	Red	68	20	2.0	3.0	60	5	650
5705H5	Green	100	20	2.1	3.0	60	4	563
5705H7	Yellow	160	20	2.1	3.0	60	5	585