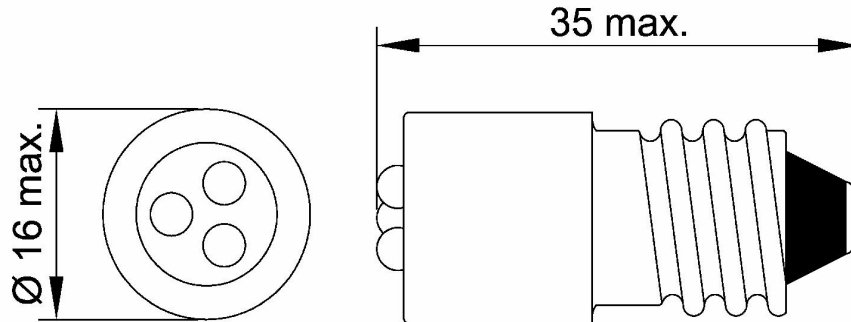


Part Number : 18637232
 Serial Number : 18637
 Based LEDs



Based LED type	MegaStarLED
Size (inch)	T-5
Size (mm)	T16
Housing size	16x35mm
Base	E14
Chip number	3
Chip color	yellow
Wavelength (nm)	587
Op. voltage (V)	230V AC/DC
Rectifier	Bridge
AC current	4mA
DC current	4mA
Type Iv DC current	3 x 140mcd
Voltage tolerance (%)	10%
Op. temperature (°C)	-20°C...+60°C
Storage temperature (°C)	-25°C...+80°C

Drawn : DIL	Ch'd : DIL	Datasheet : 18637	Print date : 28/04/06
Revision :	Revision date : 2006-03-06	Name : DIL	Scale :