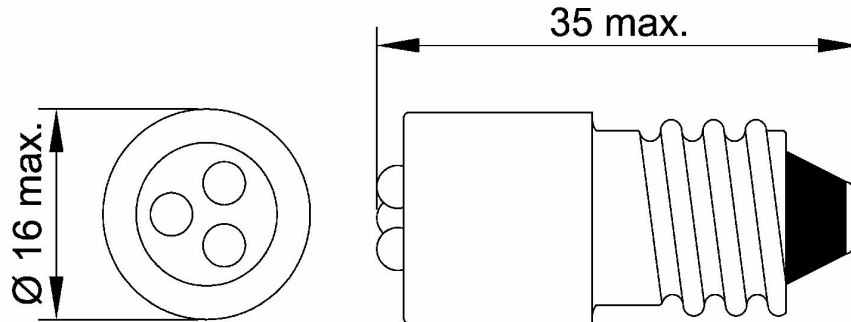


Part Number : 18636557
 Serial Number : 18636
 Based LEDs



Based LED type	MegaStarLED
Size (inch)	T-5
Size (mm)	T16
Housing size	16x35mm
Base	E14
Chip number	3
Chip color	blue
Wavelength (nm)	470
Op. voltage (V)	36V AC/DC
Rectifier	Bridge
AC current	15mA
DC current	15mA
Type I _v DC current	3 x 680mcd
Voltage tolerance (%)	10%
Op. temperature (°C)	-20°C...+60°C
Storage temperature (°C)	-25°C...+80°C

Drawn : DIL	Ch'd : DIL	Datasheet : 18636	Print date : 28/04/06
Revision :	Revision date : 2006-03-06	Name : DIL	Scale :