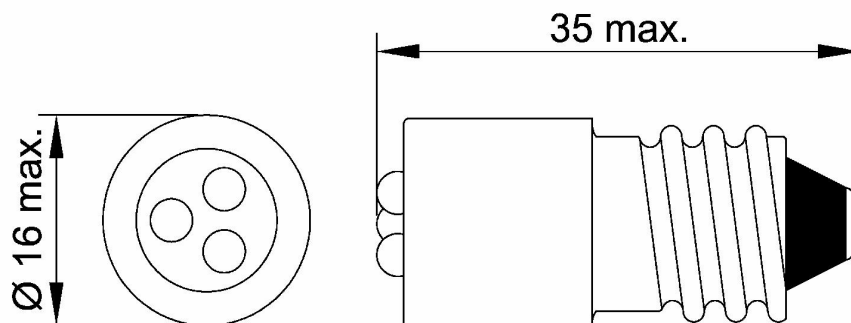


Part Number : 18636551  
 Serial Number : 18636  
 Based LEDs



<b>Based LED type</b>	MegaStarLED
<b>Size (inch)</b>	T-5
<b>Size (mm)</b>	T16
<b>Housing size</b>	16x35mm
<b>Base</b>	E14
<b>Chip number</b>	3
<b>Chip color</b>	green
<b>Wavelength (nm)</b>	525
<b>Op. voltage (V)</b>	36V AC/DC
<b>Rectifier</b>	Bridge
<b>AC current</b>	15mA
<b>DC current</b>	15mA
<b>Type Iv DC current</b>	3 x 2250mcd
<b>Voltage tolerance (%)</b>	10%
<b>Op. temperature (°C)</b>	-20°C...+60°C
<b>Storage temperature (°C)</b>	-25°C...+80°C

Drawn : DIL	Ch'd : DIL	Datasheet : 18636	Print date : 28/04/06
Revision :	Revision date : 2006-03-06	Name : DIL	Scale :