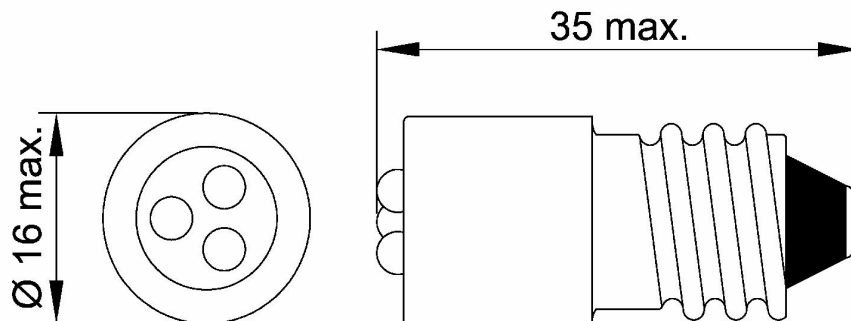


Part Number : 1863645W3
 Serial Number : 18636
 Based LEDs



Based LED type	MegaStarLED
Size (inch)	T-5
Size (mm)	T16
Housing size	16x35mm
Base	E14
Chip number	3
Chip color	white clear
Wavelength (nm)	0.31 / 0.32
Op. voltage (V)	28V AC/DC
Rectifier	Bridge
AC current	16mA
DC current	16mA
Type Iv DC current	3 x 1600mcd
Voltage tolerance (%)	10%
Op. temperature (°C)	-20°C...+60°C
Storage temperature (°C)	-25°C...+80°C

Drawn : DIL	Ch'd : DIL	Datasheet : 18636	Print date : 28/04/06
Revision :	Revision date : 2006-03-06	Name : DIL	Scale :