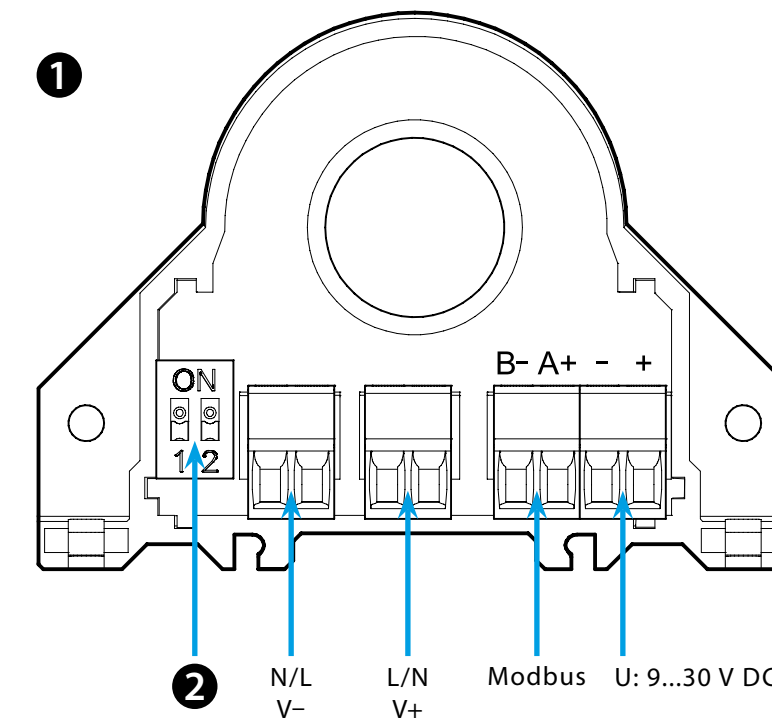


6M.Tx

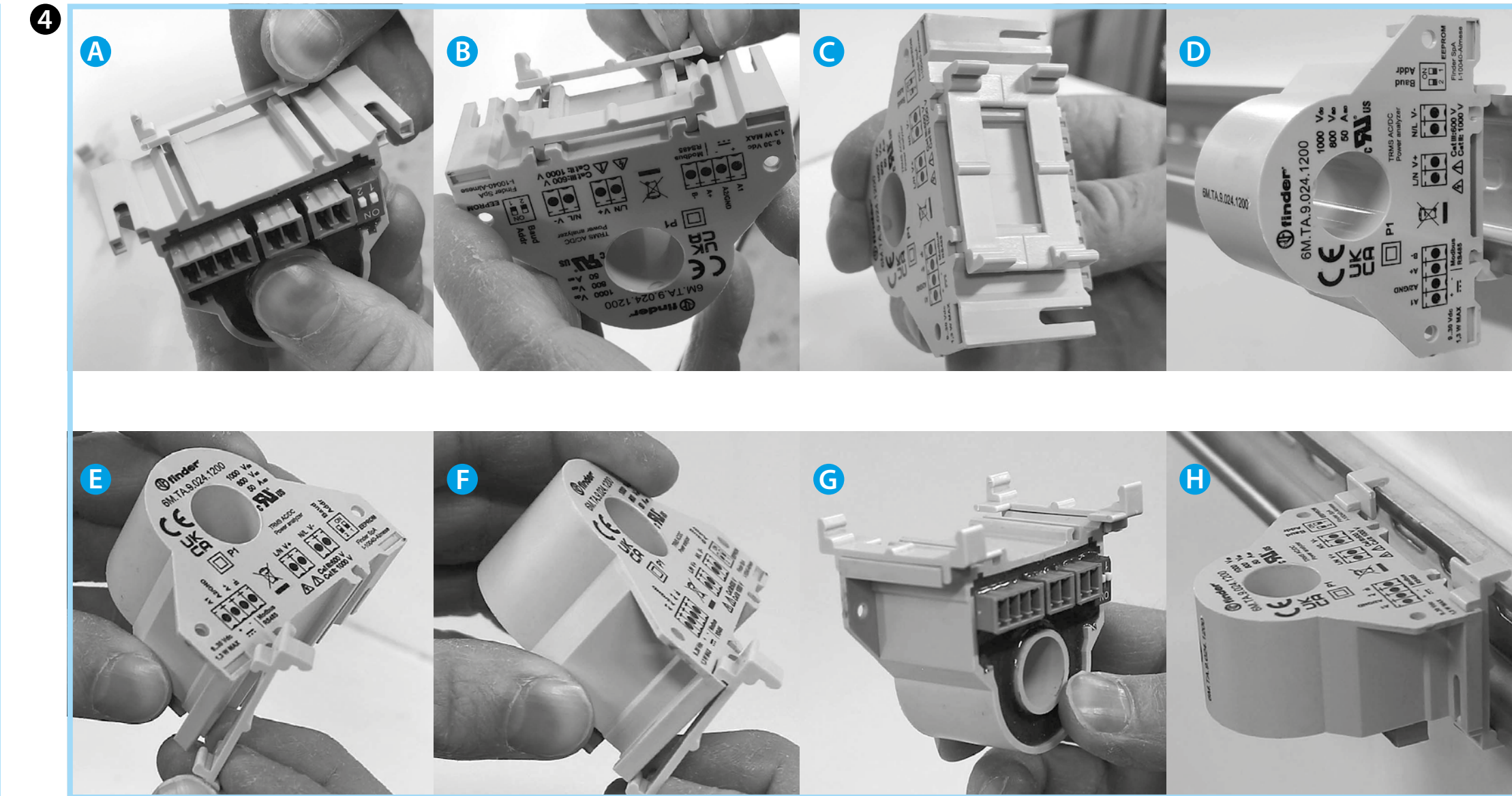
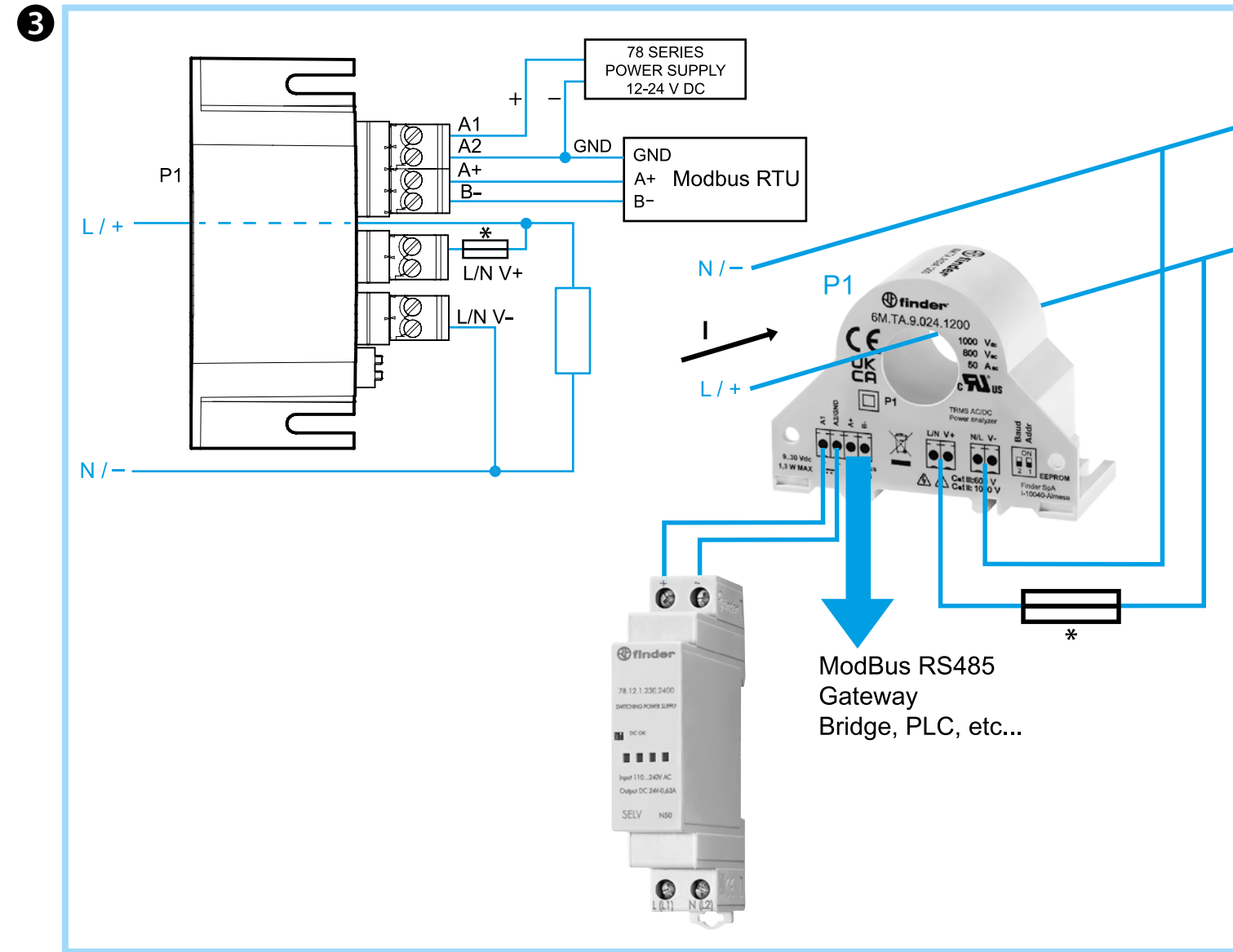
6M.Tx.9.024.1200			
TRMS AC or DC MODBUS POWER MONITOR	6M.TA	6M.TB	6M.TF
I _{max} / U _{max} AC	50/800	100/800	300/800
I _{max} / U _{max} DC	50/1000	100/1000	400/1000
U DC	9... 24 (U _N)...30		
Modbus RS485	1200...115200 baud, 8, N, 1		
T (-15...+65)°C			
IP 20			



2

Default
Address: 1
Baud: 9600
Modbus RS485

Address: 1
Baud: 38400
Modbus RS485



6M.Tx.9.024.1200
MODBUS RS485 SINGLE PHASE POWER MONITOR

- CONNECTOR DESCRIPTION**
 - SETTINGS**
* Custom settings saved on internal memory (EEPROM)
 - WIRING**
* 100 mA - Type slow
 - 35 mm RAIL MOUNTING**
A - B - C - D Current cable vertical
E - F - G - H Current cable horizontal
- NOTE**
Full owner manual downloadable on Finder site

