

DC AXIAL FAN 70x70x10mm



Housing/Blade: Thermoplastic PBT, UL 94V-0
 Insulation Resistance: 10MΩ, 500VDC/min between bare wire and frame
 Dielectric Strength: 5mA max. 500VAC/min between bare wire and frame
 Operation Temperature: -10°C~70°C(Humidity 35%-85%RH)
 Storage Temperature: -40°C~70°C(Humidity 35%-85%RH)
 Lead Wire: UL Type #26 AWG
 Weight: 35 g Packing: 300PCS/CTN



SS

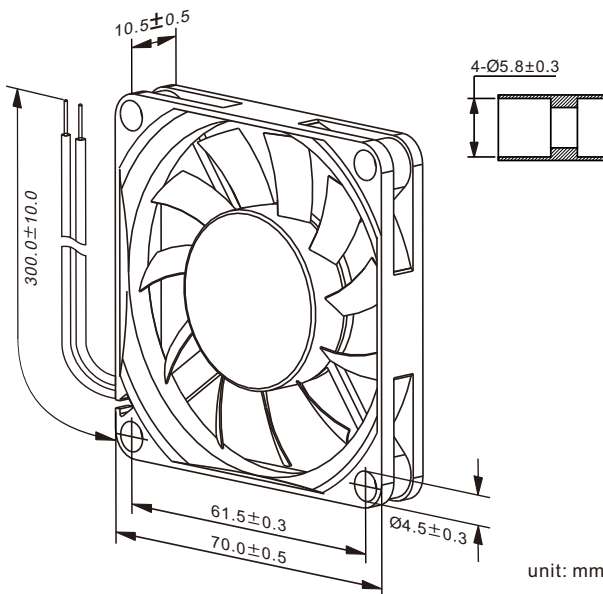
SF

DC Axial Fans

Model Number	Voltage (VDC)	Op.Voltage (VDC)	AirFlow (CFM)	Static Pres. (mm-H ₂ O)	Noise (dBA)	Speed (RPM)	Current (mA)	Power (W)	Available Bearing	Curves
FD7010S12W3-71	12	9.0~13.2	15.10	1.30	24.60	2,500	100	1.20	L,S	①
FD7010S12W5-71	12	9.0~13.2	16.20	1.80	29.00	3,000	140	1.68	L,S	②
FD7010S12W7-71	12	9.0~13.2	21.30	2.40	33.30	3,500	210	2.52	L,S	③
FD7010S24W3-71	24	17.0~28.0	15.10	1.30	24.60	2,500	80	1.92	L,S	①
FD7010S24W5-71	24	17.0~28.0	16.20	1.80	29.00	3,000	110	2.64	L,S	②
FD7010S24W7-71	24	17.0~28.0	21.30	2.40	33.30	3,500	130	3.12	L,S	③

• For "Long Life" or "Sleeve" bearing versions, change the "L" in the model number to or "S" respectively.

Specifications are subject to change without notice



unit: mm

