

**AC-DC AXIAL FAN**  
**80x80x38mm**  
**(EC Fan)**



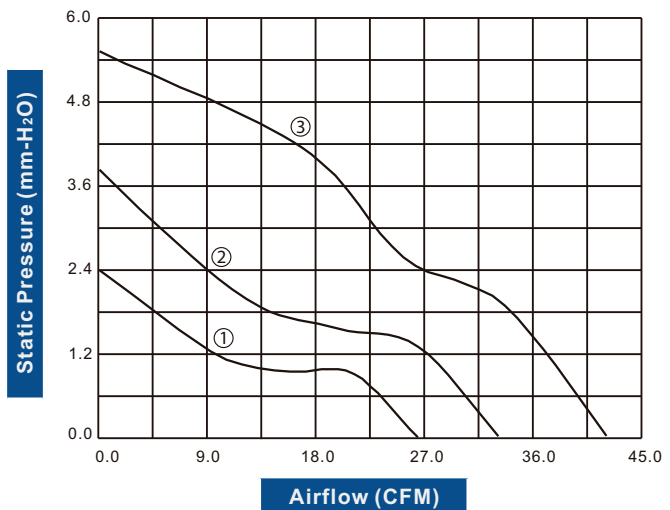
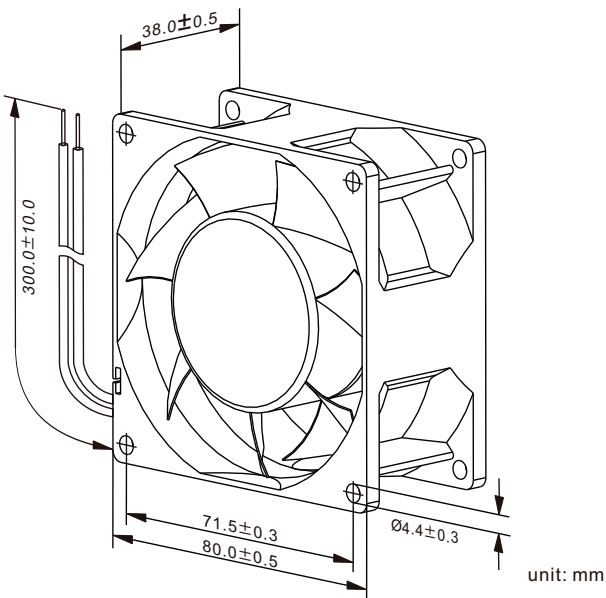
**SS IP**

- Energy Efficiency EC Fan
- Electronically Commutated(EC) Motor Technology

**Housing/Blade:** Thermoplastic PBT, UL 94V-0  
**Insulation Resistance:** 10MΩ, 500VDC/min between bare wire and frame  
**Dielectric Strength:** 5mA max. 500VAC/min between bare wire and frame  
**Operation Temperature:** -10°C~70°C(Humidity 35%-85%RH)  
**Storage Temperature:** -40°C~85°C(Humidity 35%-85%RH)  
**Lead Wire:** UL Type #24 AWG  
**Weight:** 155 g      **Packing:** 60PCS/CTN

Model Number	Voltage (VAC)	Frequency (Hz)	Oper. Volt. (VAC)	AirFlow (CFM)	Stat.Pres. (mm-H <sub>2</sub> O)	Noise (dBA)	Speed (RPM)	Current (mA)	Power (W)	Available Bearing	Curves
FDA8038B11W3-61	115	60	85~132	26.5	2.4	25.6	2,000	30	1.0	B	①
FDA8038B11W5-61	115	60	85~132	33.8	3.8	31.5	2,500	40	2.0	B	②
FDA8038B11W7-61	115	60	85~132	40.7	5.4	36.4	3,000	60	5.0	B	③
FDA8038B22W3-61	230	50	140~264	26.5	2.4	25.6	2,000	20	1.0	B	①
FDA8038B22W5-61	230	50	140~264	33.8	3.8	31.5	2,500	30	2.0	B	②
FDA8038B22W7-61	230	50	140~264	40.7	5.4	36.4	3,000	50	5.0	B	③

Specifications are subject to change without notice



EC Axial Fans